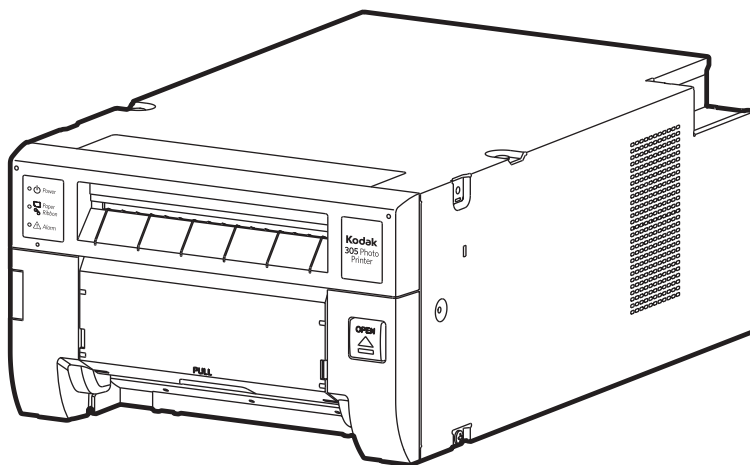


Kodak

305 Photo Printer

User's Guide



CE


Hereby, EASTMAN KODAK COMPANY, declares that this Digital Photo Printer is in compliance with the essential requirements and other relevant provisions of Directive 1999/5/EC.

INFORMATION

This Class A digital apparatus complies with Canadian ICES-003.

WARNING :

TO PREVENT FIRE OR SHOCK HAZARD, DO NOT EXPOSE THIS APPLIANCE TO RAIN OR MOISTURE.

	CAUTION RISK OF ELECTRIC SHOCK DO NOT OPEN	
CAUTION : TO REDUCE THE RISK OF ELECTRIC SHOCK, DO NOT REMOVE COVER (OR BACK) NO USER-SERVICEABLE PARTS INSIDE REFER SERVICING TO QUALIFIED SERVICE PERSONNEL.		



The lightning flash with arrowhead symbol, within an equilateral triangle, is intended to alert the user to the presence of uninsulated “dangerous voltage” within the product’s enclosure that may be of sufficient magnitude to constitute the risk of electric shock.



The exclamation point within an equilateral triangle is intended to alert the user to the presence of important operating and maintenance (servicing) instructions in the literature accompanying the appliance.



The “Caution, hot surface” symbol indicates that the marked item may be hot and should not be touched.



The “Electro Static Discharge (ESD) warning” symbol indicates that trouble (including equipment malfunction) due to static electricity may occur in certain conditions.



The “OFF/ON” symbol indicates connection to or disconnection from the mains, at least for mains switches.



The “Alternating current” symbol indicates that the equipment is suitable for alternating current only.

PRECAUTIONS

FEATURES

PREPARATION

TROUBLE-
SHOOTING

OTHERS

CONTENTS

CAUTION:

Changes or modifications not expressly approved by the party responsible for compliance could void the user's authority to operate the equipment.

NOTE:

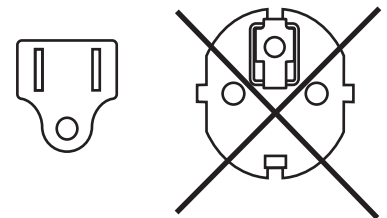
This equipment has been tested and found to comply with the limits for a Class A digital device, pursuant to Part 15 of the FCC Rules. These limits are designed to provide reasonable protection against harmful interference when the equipment is operated in a commercial environment. This equipment generates, uses, and can radiate radio frequency energy and, if not installed and used in accordance with the instruction manual, may cause harmful interference to radio communications. Operation of this equipment in a residential area is likely to cause harmful interference in which case the user will be required to correct the interference at his or her own expense.

Operation is subject to the following two conditions;

- (1) **this device may not cause interference, and**
- (2) **this device must accept any interference, including interference that may cause undesired operation of the device.**

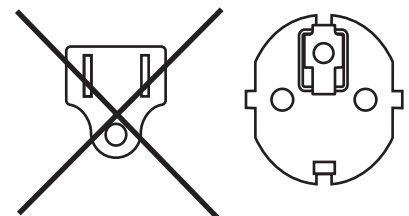
WARNING:

In the USA or Canada, use the AC power cord according to the recommendations as below, in order to comply with UL60950-1 and CAN/CSA C22.2 No. 60950-1-03. Connect to the 120 V receptacle of the room or the host equipment. The AC power cord should be UL or CSA approved and consist of type SVT, size 16 or 18AWG, length 2 m or shorter cord with IEC60320-1/C13 type, 125 V 10 A or higher rating connector and NEMA 5-15 type, 125 V 10 A or higher rating plug. Use the AC power cord as specified above, so as not to interfere with radio and television reception. If you use other cables, it may cause interference with radio and television reception.



WARNING:

In Europe, use the AC power cord according to the recommendations as below, in order to comply with EN60950-1. Connect to the 230 V receptacle of the room or the host equipment. The AC power cord should be VDE approved and consist of core size 0.75 mm² or bigger, length 2 m or shorter cord with IEC60320-1/C13 type, 250 V 10 A or higher rating connector and CEE(7)VII type, 250 V 10 A or higher rating plug. Use the AC power cord as specified above, so as not to interfere with radio and television reception. If you use other cables, it may cause interference with radio and television reception.



WARNING:

The socket outlet shall be installed near the equipment and shall be easily accessible.

Note: This symbol mark is for EU countries only. This symbol mark is according to the directive 2002/96/EC Article 10 Information for users and Annex IV, and/or to the directive 2006/66/EC Article 20 Information for end-users and Annex II.



Your EASTMAN KODAK COMPANY product is designed and manufactured with high quality materials and components which can be recycled and/or reused. This symbol means that electrical and electronic equipment, batteries and accumulators, at their end-of-life, should be disposed of separately from your household waste. If a chemical symbol is printed beneath the symbol shown above, this chemical symbol means that the battery or accumulator contains a heavy metal at a certain concentration. This will be indicated as follows: Hg: mercury (0,0005%), Cd: cadmium (0,002%), Pb: lead (0,004%) In the European Union there are separate collection systems for used electrical and electronic products, batteries and accumulators. Please, dispose of this equipment, batteries and accumulators correctly at your local community waste collection/recycling centre. Please, help us to conserve the environment we live in!

CONTENTS

Contents	1
Safety precautions	2-4
Special features	5
Unpacking	6
Features and functions	7-8
Front panel	7
Rear panel	8
Before operation	9-15
Printer setup procedure	9
Print paper installation	10-11
Ribbon installation	12-13
Handling of paper / ribbon kit	14
Connection with USB data signal equipment	15
Printer driver installation	15
Error messages and countermeasures	16-19
Indications on the front panel and countermeasures	16
Overcoming paper jams	17
Repairing a torn ribbon	18
Before calling for service	19
Instructions for transportation	19
Cleaning	20-21
Specifications	22

PRECAUTIONS

FEATURES

PREPARATION

TROUBLE-
SHOOTING

OTHERS

CONTENTS

SAFETY PRECAUTIONS

In the interest of safety, please observe the following precautions:

POWER REQUIREMENT

The Kodak 305 Photo Printer is designed to operate on 120 V AC 50/60 Hz in the U.S.A. and Canada, and 220 V - 240 V AC 50/60 Hz in Europe. Never connect to any outlet or power supply having a different voltage or frequency.

WARNING : THIS APPARATUS MUST BE EARTHED.

PROTECTIVE MEASURES

IF ABNORMALITIES ARISE,

Use of the printer during emission of smoke or abnormal sounds (without adopting countermeasures) is dangerous. In such a case, unplug the power cord from the source outlet immediately, and request maintenance service from the sales dealer.

NEVER INSERT ANY OBJECT INTO THE PRINTER

Foreign objects of any kind inserted into this printer constitute a safety hazard and can cause extensive damage.

DO NOT PLACE ANYTHING ON THE KODAK 305 PHOTO PRINTER

Heavy objects placed on the Kodak 305 Photo Printer can cause damage or obstruct proper ventilation.

PROTECT THE POWER CORD

Damage to the power cord may cause fire or shock hazard. When unplugging, hold by the plug only and remove carefully.

DO NOT PLACE WATER CONTAINERS ON THE PRINTER

Do not place flower vases, and other water-holding containers on the printer. If, for some reason, water seeps to the inside of the printer, unplug the power cord from the source outlet, and contact the sales dealer. If used without corrective measures, the printer may be damaged.

“In the interest of safety, avoid handling of liquids near the printer.”

DO NOT REMOVE THE CABINET

Touching internal parts is dangerous, besides, it may lead to malfunction. Contact the sales dealer to carry out internal checks and adjustments. Before opening the cover for eliminating a jammed paper, etc., be sure to disconnect the power cord plug.

UNPLUG THE POWER CORD DURING A LONG ABSENCE

Turn off the main power switch and unplug the power cord during a long absence.

WHEN TRANSPORTING THE PRINTER

When transporting the printer, remove the ribbon and print paper from the printer. See [“INSTRUCTIONS FOR TRANSPORTATION”](#) on page 19.

WHEN MOVING THE PRINTER

Check that the printing unit is closed firmly. And pay attention not to press the OPEN button accidentally. When the printing unit is not closed firmly or you press the OPEN button accidentally, the printing unit may open. It can cause injury or damage.

BE CAREFUL AROUND PRINT PAPER EXIT SLOT

Don't insert your hand or any material into the paper exit slot during printing.

Do not touch the cutter blade inside the paper exit slot.

Otherwise, your finger will be injured.

DO NOT TOUCH THE THERMAL HEAD EXCEPT WHEN CLEANING

Do not touch the thermal head (located inside the printer) except when cleaning.

They are heated to high temperature and may cause burns or injury when touched.

Also, malfunction caused by static electricity may occur.

WHEN PLACING THE PRINT PAPER, KEEP THE PRINT PAPER UPRIGHT

When you put the print paper sideways on a table, etc., it may roll and fall. This may cause injury.

REMOVE THE TRIM TRAY WHEN OPENING OR CLOSING THE DOOR

When you open or close the door with the trim tray installed, the tray may be removed and fall. This may cause injury or damage. Also, the chips generated by margin cut may jam at the paper exit slot.

PRECAUTIONS

FEATURES

PREPARATION

TROUBLE-
SHOOTING

OTHERS

CONTENTS

SAFETY PRECAUTIONS

DO NOT LEAVE THE PRINTING UNIT OPEN

When the printer is moved with the printing unit open, it may cause injury or damage.

CLOSE THE PRINTING UNIT FIRMLY

Take care not to pinch your hand when closing the printing unit. When the printing unit is not closed firmly, it may open during transportation and it may cause injury or damage.

DO NOT PUSH DOWN ON THE PRINTING UNIT OR THE DOOR

If you push down on the printing unit or the door when they are open, this printer may fall and it can cause damage or injury.

INSTALLATION LOCATIONS

MAINTAIN GOOD VENTILATION

Ventilation slots and holes are provided on the rear and both sides of this printer. Place the printer on a hard and level surface and keep a space between the printer and the walls to ensure proper ventilation. When putting the printer on the system rack, take a space between the printer and the back and sides of the rack.

SUITABLE LOCATIONS

Avoid shaky places or hot-springs areas where hydrogen sulfide and acidic ions are likely to be generated.

AVOID PLACES WITH HIGH HUMIDITY AND DUST

Do not place the printer at a high humidity and dusty locations. They can cause extensive damage to this printer. Avoid places where the printer is likely to be exposed to oily fumes and vapors.

AVOID PLACES LIKELY TO BE EXTREMELY HOT

Places exposed to direct sunlight, or near heating appliances can attain extremely high temperatures, which may deform the cabinet, or can become a prime cause of damage.

PLACE THE PRINTER ON A HORIZONTAL LEVEL

The printer is likely to be affected if it is placed in slanted conditions or in an unstable places.

PROTECT AGAINST DEW FORMATION

In extremely cold regions, if the printer is moved quickly from an extremely cold place to warmer one, dew is likely to be formed. If dew is formed, printing is not possible.

OPERATING AMBIENT TEMPERATURE RANGE

The operating ambient temperature range is 15°C - 30°C (59°F - 86°F) and the humidity of 30% - 80% RH. When using the printer on the system rack, be sure to keep this ambient temperature inside the rack. Depending on the internal temperature, it may take some time to start printing.

FOR LONG OPERATING LIFE

UNSUITABLE MATERIALS FOR THE KODAK 305 PHOTO PRINTER

Coat flaking and deformation are likely to occur if the printer is wiped with chemical dusters, benzene, thinner or any other solvent, if rubber or PVC items are left in contact with the printer for extended duration, or if the printer is sprayed with insecticide.

CARE OF THE CABINET

Unplug and clean with a soft cloth slightly moistened with a mild soap and water solution. Allow to dry completely before operating. Never use petroleum base solutions or abrasive cleaners.

HEAD ABRASION

The thermal head, like the video head, wears out. When it is abraded, it becomes hard to print out fine details of the picture. In such a case, it is necessary to replace the thermal head. Consult with the sales dealer for replacing the head.

CONNECTING DEVICES

Read thoroughly "Operating Precautions" of the instruction booklets for the devices connected with the Kodak 305 Photo Printer. The power cord must be disconnected after printing is over.

CAUTION ON RELOCATING

When transporting this printer, make sure it is not likely to be subjected to impacts. They can be a prime cause for damage. Further, make sure to disconnect the power cord from the power outlet, and the cables from the connected devices.

PRECAUTIONS

FEATURES

PREPARATION

TROUBLE-
SHOOTING

OTHERS

CONTENTS

SAFETY PRECAUTIONS

OTHER CAUTIONS

- Do not pull out nor touch the print paper until printing is completed. It may degrade the print quality or cause an error.
- Dust or other foreign matter adhering to the print paper or the ribbon cassette, or deformation resulting from exposure to extremely low or high temperatures could cause loss of color, uneven color or lines, or wrinkles in the print images.
- Clean the thermal head and platen roller to keep good print quality whenever you replace the print paper and ribbon.
- Depending on the internal temperature, the printer may stop printing temporarily during printing. (The POWER indicator blinks green.) Please wait for the printer to resume printing.
Do not touch the print paper.
- Each time printing is completed, remove the prints. If the prints are not removed, a paper jam may occur.
- Empty the trim tray frequently to prevent jamming the strips at the print outlet.
- The paper tray is used for storing the cut print paper temporarily. The print paper may fall from the tray or may not be stored in the printed order.

NOTE:
YOUR UNDERSTANDING IS REQUESTED FOR THE LOSS OF IMAGES IN MEMORY DUE TO THE SUDDEN OCCURRENCE OF A MALFUNCTION.

PRECAUTIONS

FEATURES

PREPARATION

TROUBLE-
SHOOTING

OTHERS

CONTENTS

SPECIAL FEATURES

SPECIAL FEATURES

AVAILABLE 2 PRINT SIZES

2 printing sizes, 10x15 (4x6") (max. 102 x 152 mm) and 15x20 (6x8") (max. 152 x 203 mm) are selectable.

300 DPI HIGH RESOLUTION

The Kodak 305 Photo Printer has a high resolution of 300 dpi for precise illustrations and sharp photographic images.

LARGE CAPACITY PRINTING

Maximum of 320 prints per roll for 10x15 (4x6") is offered. Large economical print capacity per roll reduces frequency of exchanging paper and ribbon.

HIGH QUALITY PRINTS

The Kodak 305 Photo Printer is a dye sublimation thermal transfer color printer, which produces superior high quality images. It also produces a continuous tone at 256 gradient for each of Y, M, and C.

HIGH SPEED PRINTING

HI-SPEED USB (VER. 2.0) INTERFACE SUPPORTING

MATTE PRINTING OPTION

Note: Matte is only recommended for an even number of 10x15 prints.

Printing an uneven number of prints may lead to lower number of prints produced per ribbon kit.

PRECAUTIONS

FEATURES

PREPARATION

TROUBLE-
SHOOTING

OTHERS

CONTENTS

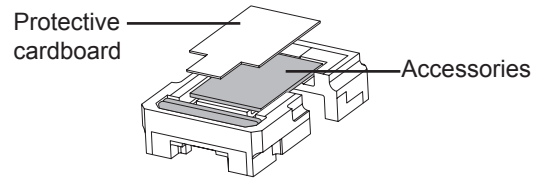
UNPACKING

UNPACKING

Take the printer out of the box by the following procedures. Make sure to check the accessories.

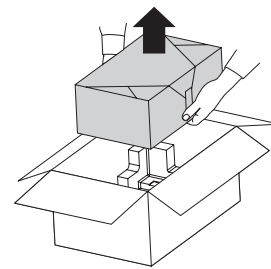
- 1 Open the printer box from the top and remove the top cushion containing the accessories out of the box.**

Remove the protective cardboard and then take the accessories out of the cushion.



- 2 Carefully pull the printer up and out of the box.**

Pull the printer straight up as shown in the figure.



NOTE

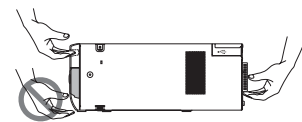
Printer weighs about 12 kg. Handle it with care.

- 3 Unwrap the packing.**

Remove the protective materials for transportation such as protective sheet.

Remove the trim tray before carrying the printer.

Hold the printer by the front and rear handle as illustrated in the drawing.

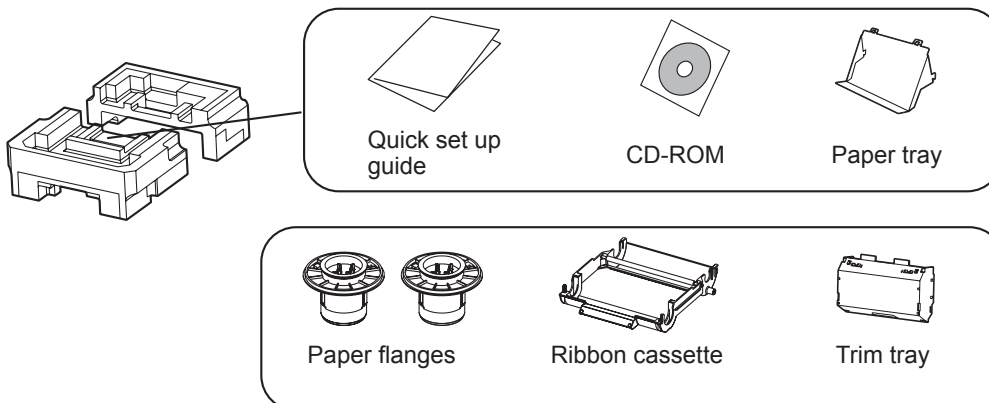


CAUTION

- Do not carry the printer with the trim tray attached and by holding the part under the trim tray. The trim tray may be removed and fall. It may cause injury or damage.
- When the printing unit is not closed firmly or you press the OPEN button accidentally, the printing unit may open. It can cause injury or damage.

CONTENTS

The accessories items are placed in the top cushion. Check all items are included.



These are contained in the printing unit.

Make sure to remove the protective materials from the ribbon cassette and paper flanges.

PRECAUTIONS

FEATURES

PREPARATION

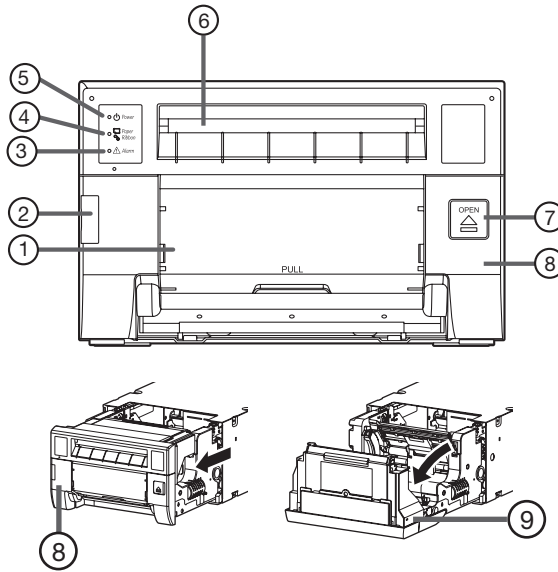
TROUBLE-SHOOTING

OTHERS

CONTENTS

FEATURES AND FUNCTIONS

FRONT PANEL



① TRIM TRAY

Holds the paper strips generated by margin cut. Empty the tray frequently to prevent jamming the strips at the print outlet.

NOTE

Remove the tray before opening the door. If the door is opened with this tray attached, the printer or this tray may be damaged. Do not remove the tray during printing. It may cause a malfunction.

② CONNECTOR COVER

Do not open the cover during normal use.

③ ALARM INDICATOR (▲)

This indicator illuminates or blinks when a paper jam occurs or the door is open. See page 16.

④ PAPER RIBBON INDICATOR (□/∞)

When an error concerning the ribbon or print paper occurs, this indicator illuminates or blinks. See page 16.

⑤ POWER INDICATOR (Ⓞ)

When the power is turned on, the indicator illuminates. It normally illuminates green, however, blinks or illuminates orange depending on the printer status. See page 16.

⑥ PRINT OUTLET

The printed paper comes out here.

⑦ OPEN BUTTON (≡)

Press to release the printing unit out.

⑧ PRINTING UNIT

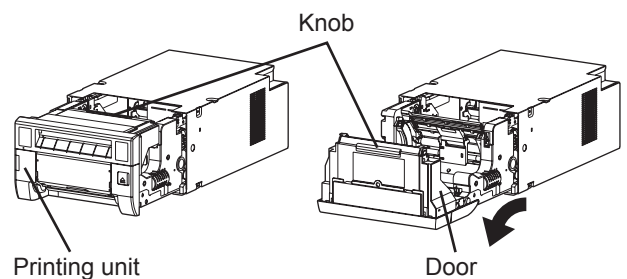
Open to load print paper or ribbon. Press the ⑦ OPEN button to release the printing unit.

⑨ DOOR

Open the door to mount print paper.

OPENING THE DOOR

Pull out the printing unit by pressing the OPEN button and then pull the knob to open the door.



PRECAUTIONS

FEATURES

PREPARATION

TROUBLE-
SHOOTING

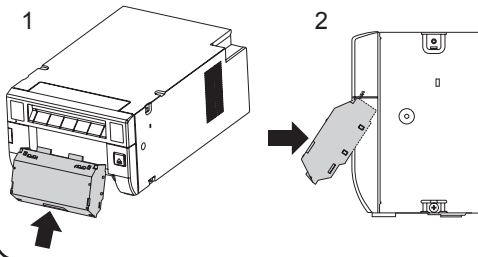
OTHERS

CONTENTS

FEATURES AND FUNCTIONS

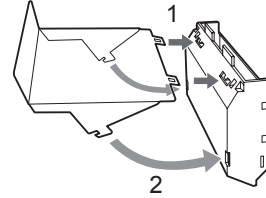
TRIM TRAY

Hook and pull up the trim tray to attach it firmly. Hold and pull the handle on the lower part of trim tray to remove.

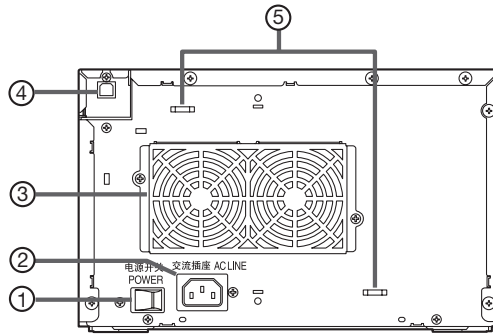


PAPER TRAY

Engage the upper hooks of the tray on the protrusions on the top of the margin cut box (1). Then, secure the tray by engaging the lower hooks in the holes on both sides of the box (2).



REAR PANEL



① POWER SWITCH

Use to switch the power ON and OFF.

② POWER SOCKET (AC LINE)

Use to connect the provided power cord. Insert the cord firmly.

③ FAN COVER / HANDLE FOR TRANSPORTING

When carrying the printer, hold this handle and the front upper part of the printer.

④ USB TERMINAL

Use to connect the USB cable.

[See page 15.](#)

⑤ SECURING HOLES FOR THE CABLE TIE

Use to secure the power cord or USB cable by using the cable ties.

PRECAUTIONS

FEATURES

PREPARATION

TROUBLE-
SHOOTING

OTHERS

CONTENTS

BEFORE OPERATION

PRINTER SETUP PROCEDURE

Before printing, follow the printer setup listed below.

Install the print paper to this printer.

(See pages 10 to 11.)



Install the ribbon to this printer.

(See pages 12 to 13.)



Connect the printer to a personal computer.

(See page 15.)

Make sure to close the printing unit when the setup procedure is completed.

PRECAUTIONS

FEATURES

PREPARATION

TROUBLE-
SHOOTING

OTHERS

CONTENTS

PRINT PAPER INSTALLATION

1 Attach the supplied paper flanges to both sides of the print paper.

When you pinch the latches on the paper flange, the stoppers retract into the shaft. Attach the flanges to the print paper with the stoppers retracted. Make sure that the flanges are attached to the print paper securely, and release the latches.

- NOTE**
- Take care not to pinch your fingers.
 - Do not remove the sticker on the print paper roll yet.
 - Do not loosen the paper roll. Any slack in the print paper may degrade the print quality.

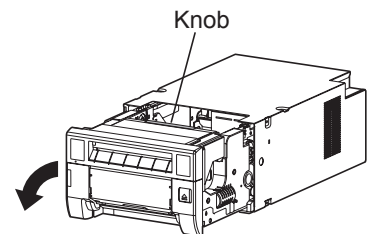
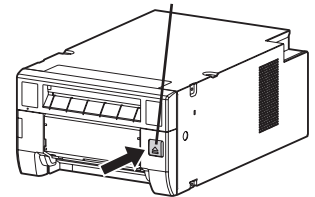
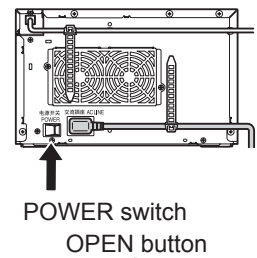
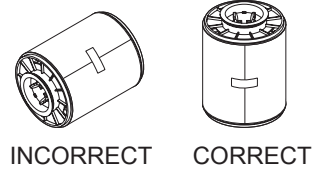
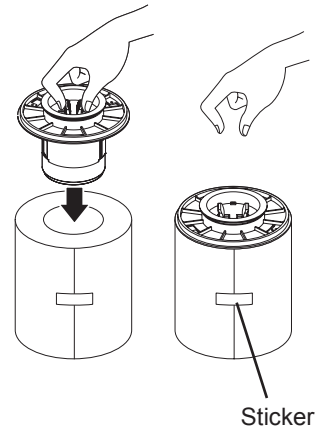
- CAUTION**
- When placing the print paper, keep the print paper upright.
 - When you put the print paper sideways, it may roll and fall. This may cause injury.

- NOTE**
- Fingerprints or dust on the paper's surface may degrade print quality and cause paper jams.

2 Press the POWER switch on the rear panel to turn on the power.

3 After the POWER indicator's color has changed from orange to green, press the OPEN button to release the printing unit out.

4 Remove the trim tray and then pull the knob to open the door.



PRECAUTIONS

FEATURES

PREPARATION

TROUBLE-SHOOTING

OTHERS

CONTENTS

BEFORE OPERATION

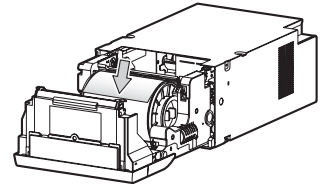
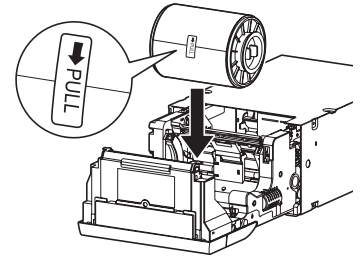
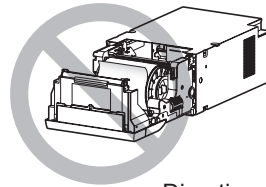
5 Install the print paper into the printer.
Place the printing paper in the correct orientation.
Make sure the paper roll is firmly installed.

CAUTION

Do not push down on the printing unit or the door.
If you push down on the printing unit or the door when they are open, this printer may fall and it can cause damage or injury.

NOTE

- Make sure to turn on the power before installing the print paper. Otherwise, a paper jam may occur.
- Load the paper roll slowly into the printer. If it is dropped along the ditches, the printer or accessories may be damaged.



Direction of paper insertion

6 Remove the sticker and insert the print paper between the roller and guide as shown right to feed it. When the buzzer sounds, stop the paper feeding.

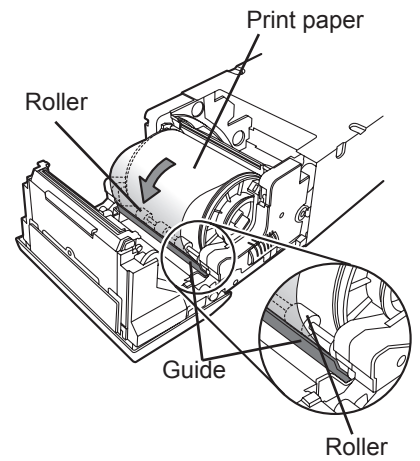
Remove the sticker before inserting the print paper between roller and guide. Make sure to insert the paper straight.
Buzzer continues to sound until the printing unit is closed.

NOTE

- Keep the rollers clean. Dirt on the rollers may produce poor print quality.

NOTE

- When taking the print paper out, pull it up toward you by holding the paper flanges.
- Make sure to turn on the power before replacing the print paper.
- Make sure to eliminate any slack from the print paper. If you carry out the following steps without eliminating the slack, the print paper may be damaged.



7 Close the door.

PRECAUTIONS

FEATURES

PREPARATION

TROUBLE-SHOOTING

OTHERS

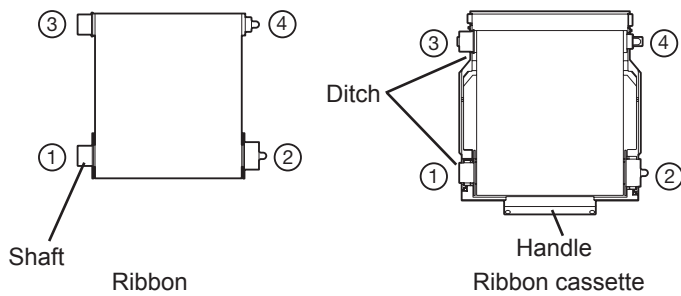
CONTENTS

RIBBON INSTALLATION

After installing the print paper, install the ribbon cassette into this printer.
 Before installing the ribbon cassette into this printer, load the ribbon in the ribbon cassette.
 It is recommended to clean the thermal head to keep good print quality when you replace the print paper and ribbon.

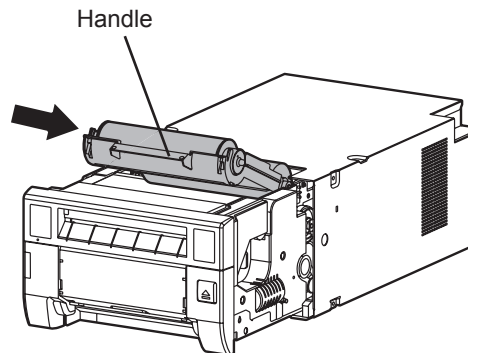
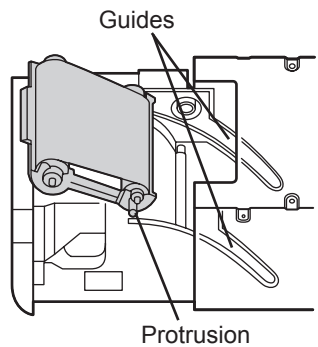
- NOTE**
- Place the ribbon cassette on a flat surface, when loading the ribbon.
 - Select a place that is free of dust when loading the ribbon. Dust or dirt settling on the ribbon results in poor print quality.
 - Make sure that the shafts of the ribbon fit into the ribbon cassette firmly.

1 Load the ribbon in the ribbon cassette as shown below.
 Make sure to load it in the correct position.





Make sure to set the ribbon roller to the ditches firmly.
 Turn the shaft to eliminate any slack.

2 Place the ribbon cassette containing the ribbon in the position as shown in the illustration.
 To insert the ribbon cassette, align the protrusions on both sides of the cassette with the right and left guides inside the printing unit and slide it in a slanting direction.
 Mount the ribbon cassette to the back firmly by holding the handle.



- NOTE**
- Do not touch the thermal head.
 Fingerprints or dust on the thermal head will degrade the print quality.

- CAUTION**
-  Do not touch the thermal head right after printing because it is extremely hot. Otherwise you may get burned or injured.

- NOTE**
-  Note that the thermal head is quite sensitive to static electricity. When you touch the thermal head while carrying static electricity on your body, the thermal head may be damaged.

PRECAUTIONS

FEATURES

PREPARATION

TROUBLE-SHOOTING

OTHERS

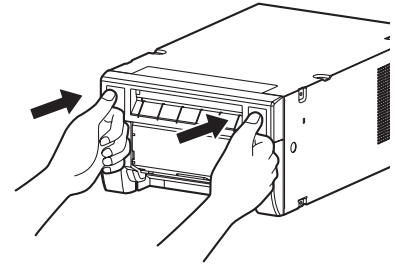
CONTENTS

BEFORE OPERATION

3 Push the printing unit to close.

Close the printing unit by pushing the right and left sides of the unit from the front with both hands.

When a new paper is loaded and the printing unit is closed with the power turned on, the paper will be automatically fed and cut.



CAUTION

When closing the printing unit, be careful not to get your hands caught between the printer and the printing unit. Otherwise, you may get injured.

NOTE

- When closing the printing unit, push it until a click is heard.
- If the PAPER RIBBON indicator illuminates when the printing unit is closed, the print paper may have not been installed correctly. In this case, open the printing unit to make sure that the print paper has been installed correctly. Then close the printing unit again.
- When the paper roll is reinstalled more than three times, the print paper may be used up earlier than the ribbon.

Installation of the print paper and the ribbon is completed.

NOTE

- Make sure to replace the print paper and the ribbon simultaneously. A large amount of print paper may remain depending on the used condition.

NOTE

- Empty the trim tray frequently to prevent jamming the strips at the print outlet. Whenever you replace the paper and ribbon, make sure to throw away the paper strips in the trim tray.
- Whenever you replace the print paper and the ribbon, clean the thermal head and the platen roller. For the cleaning procedures, see [“CLEANING”](#) (on pages 20 and 21).

PRECAUTIONS

FEATURES

PREPARATION

TROUBLE-
SHOOTING

OTHERS

CONTENTS

HANDLING OF PAPER / RIBBON KIT

■ BEFORE PRINTING

- Fingerprints or dust on the paper printing surface may produce poor print quality and cause paper jams.
- When the print paper or ribbon is abruptly transferred from a cool place to a hot place, vapor or dew is generated on the surface, which causes paper jams or degraded print quality. Leave the print paper in the room to stabilize its temperature before use.
- If you repeat the PRINT PAPER INSTALLATION procedure more than the designated number of times, the indicated number of prints may not be made. In addition, if you replace the print paper before it is used up, the indicated number of prints may not be made.

■ AFTER PRINTING

- If the paper absorbs nonvolatile organic solvents (alcohol, ester, ketone, etc.) the print may be discolored.
- Discoloration of prints is accelerated if the print paper comes into contact with soft vinyl chloride such as transparent tape.
- Avoid storing prints in direct sunlight or places with high humidity.

■ STORAGE OF PAPER / RIBBON KIT

- Do not store the print paper and ribbon in the container made of soft polyvinyl chloride. They may be discolored because of chemical reaction.
- Store the print paper and ribbon out of direct sunlight and away from heating appliances in a cool, dark place where the temperature is 5°C to 30°C and the humidity is 20% to 60% RH.

PRECAUTIONS

FEATURES

PREPARATION

TROUBLE-
SHOOTING

OTHERS

CONTENTS

CONNECTION WITH USB DATA SIGNAL EQUIPMENT

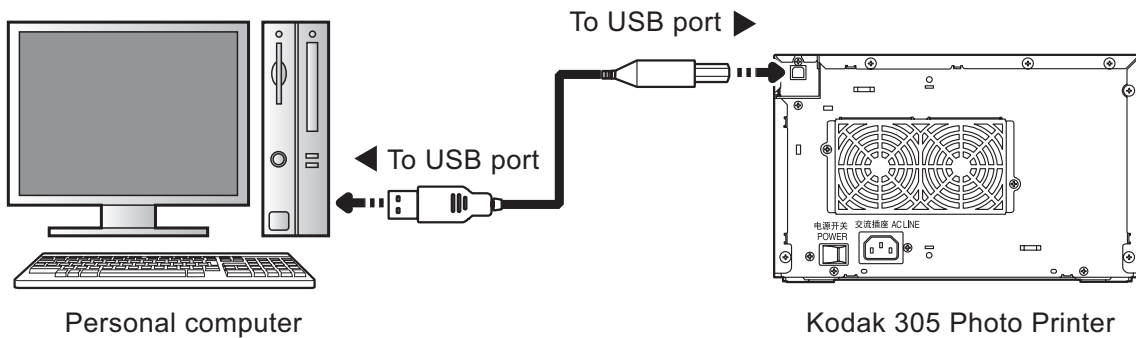
CONNECTING TO PERSONAL COMPUTER (EXAMPLE)

Check that the printer is turned on before connecting procedure.

- 1 Turn on the power of a personal computer.
- 2 Connect the printer and a personal computer with a USB cable. (when the operation system to be applied is other than Windows® 7)
Connect the printer to a personal computer as shown below.

NOTE

For Windows® 7 users, do not connect the printer to the computer.
Refer to the PRINTER DRIVER GUIDE in the CD-ROM for details.



NOTE

A USB cable is not supplied with this printer. Use the USB 2.0 certified cable of 2 m or less in length.

PRINTER DRIVER INSTALLATION

The printer driver is required to print the data from the personal computer connected with this printer. The printer driver for Windows® is supplied with this printer.

Product name	Required operating system
EK305_WinXP	Applies for Microsoft Windows® XP operation system
EK305_WinVista7	Applies for Windows Vista® and Windows® 7 operation system

- Refer to the PRINTER DRIVER GUIDE in the CD-ROM for installing the printer driver.
Microsoft, Windows, Windows XP, Windows Vista and Windows 7 are the trademarks or the registered trademarks of Microsoft Corporation in the U.S.A. and other countries.

NOTE

Refer to the following website to check the latest version of the printer driver and the printer information.
<http://www.kodak.com/go/rss>

ERROR MESSAGES AND COUNTERMEASURES

INDICATIONS ON THE FRONT PANEL AND COUNTERMEASURES

■ If, for some reason, printing is not possible or an error occurs during printing, the indicators on the front panel will illuminate or blink. In this case, follow the procedure described below.

☉: Steady on ●: Off ☉●: Blinking

ALARM	PAPER RIBBON	POWER	Causes and Countermeasures	Page
●	●	☉ (Orange)	This printer is in standby mode. Connect a USB cable to the printer when not connected. It may take time that the printer is ready to print images after the image data is sent.	7 15
☉●	●	☉ (Green)	The printing unit is open. • Close the printing unit.	7
☉●	☉●	☉ (Green)	A paper jam or a problem concerning the ribbon occurs. • Refer to "Overcoming paper jams."	17
●	●	☉● (Green)	The temperature of the thermal head is too high or too low. • Wait until the indication goes off. When the indicator stops blinking, the printer resumes printing automatically. While the printer is working, do not open the door or turn off the power.	7
●	☉●	☉ (Green)	The ribbon which is not available to this printer is installed. • Replace the ribbon with a new one. The actual combination of ribbon and print paper is inconsistent with the setting made by the personal computer. • Open the printing unit and confirm that the actual combination of ribbon and print paper is consistent with the setting made by the personal computer. After checking, close the printing unit.	12-13
●	☉	☉ (Green)	The print paper or ribbon is not installed. The print paper or ribbon is used up. • Install new print paper or ribbon.	10-13
☉	●	☉ (Green)	Other errors	19

When the ALARM or the PAPER RIBBON indicator illuminates or blinks, open the door and carry out the above countermeasures.

PRECAUTIONS

FEATURES

PREPARATION

TROUBLE-SHOOTING

OTHERS

CONTENTS

OVERCOMING PAPER JAMS

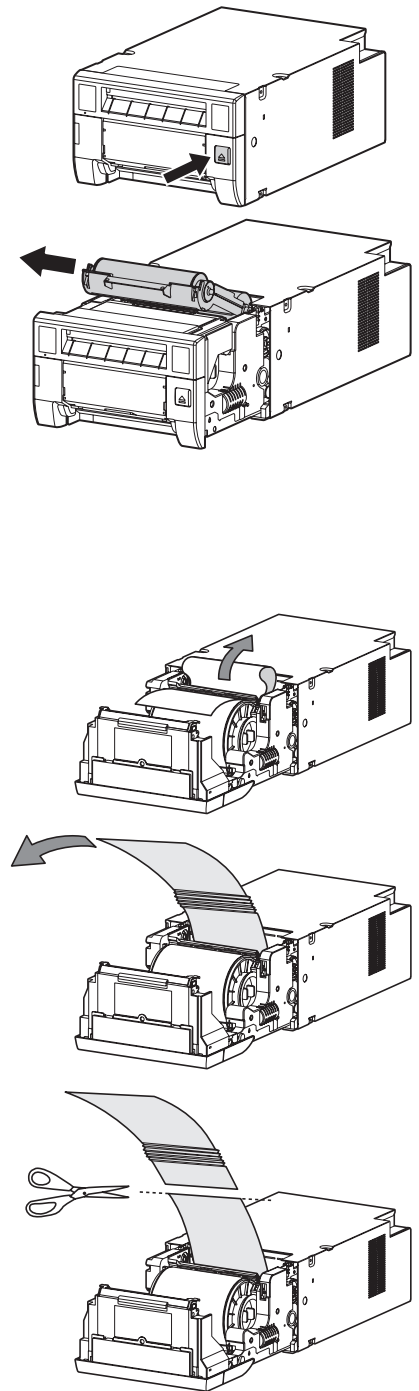
- 1 **Press the OPEN button to open the printing unit.**
Make sure that the power is turned on before opening the printing unit.
- 2 **Remove the ribbon cassette.**
- 3 **Open the door.**
- 4 **Pull out the defective part of the print paper to the direction of an arrow.**
- 5 **Cut off the defective part of the print paper with scissors.**

NOTE

 - Make sure to cut off the printed part of the print paper. Failure to do this may result in the ribbon sticking to the print paper and being torn.
 - Make sure to clean the thermal head and the platen roller. Refer to “CLEANING” (on pages 20 and 21).
- 6 **Remove the print paper.**

NOTE

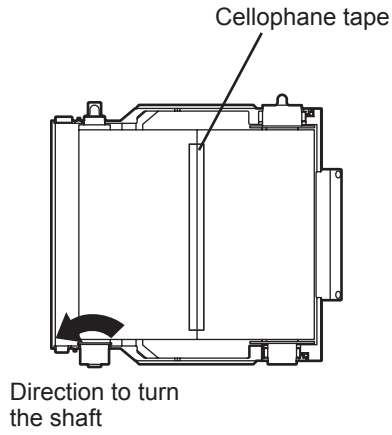
 - Remove the slack from the print paper completely. If the door is closed with the print paper slacked, it may cause a paper jam.
- 7 **Install the print paper and the ribbon cassette with the ribbon.**
(Refer to pages 10-14.)
- 8 **Close the door.**
- 9 **Close the printing unit by pushing it.**



PRECAUTIONS
FEATURES
PREPARATION
TROUBLE-SHOOTING
OTHERS
CONTENTS

REPAIRING A TORN RIBBON

- 1 Position the ribbon cassette with the torn ribbon on a flat, clean surface.
- 2 Place a piece of transparent adhesive cellophane tape on the center of the ribbon.



- 3 Wind the shaft of the ribbon in the direction of the arrow so that the cellophane tape is not seen.
- 4 Install the ribbon cassette in the printer.

PRECAUTIONS

FEATURES

PREPARATION

TROUBLE-SHOOTING

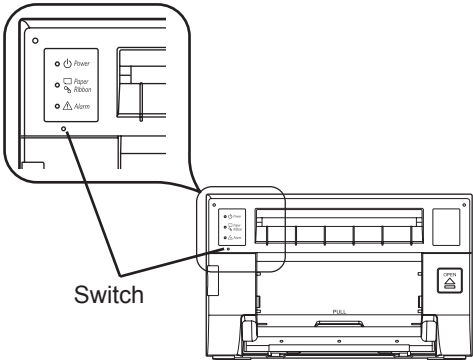
OTHERS

CONTENTS

ERROR MESSAGES AND COUNTERMEASURES

BEFORE CALLING FOR SERVICE

■ For the following symptoms, check the printer again before calling for service.

Symptom	Check & Remedy
The power is not turned on.	<p>Is the power cord plug disconnected from the outlet?</p> <ul style="list-style-type: none"> → Connect the power cord plug to the outlet firmly. → The protective circuit may be working. Turn off the power and wait for about two minutes. Then turn on the power again.
The printing unit doesn't open.	<p>Are you turning off the power during printing procedure?</p> <ul style="list-style-type: none"> → Turn on the power and then open the printing unit.
The image is not printed.	<p>Is the PAPER RIBBON indicator or the ALARM indicator illuminating or blinking?</p> <ul style="list-style-type: none"> → Refer to "Overcoming paper jams." <p>Is the appropriate size of data sent to this printer?</p> <ul style="list-style-type: none"> → Make sure that the appropriate size of image data is sent to this printer. <p>Is the print paper or the ribbon used up?</p> <ul style="list-style-type: none"> → Check them. <p>Is the printing unit set firmly?</p> <ul style="list-style-type: none"> → Set the printing unit firmly. <p>→ When the indicators keep illuminating or blinking though the above operations are performed, remove the ribbon and print paper and reinstall them.</p>
An error can not be resolved.	<ul style="list-style-type: none"> → Turn off and on the power of the printer with the printing unit set firmly. This printer starts initialization. → Press the switch inside of the hole of the front panel with a thin stick or the like for 5 seconds or more. 

INSTRUCTIONS FOR TRANSPORTATION

When transporting this printer for some reason such as repair, follow the instructions below.

- 1. Use the original packaging.**

The genuine package unit may not endure more than one round trip. If the printer is transported with the package unit more than one round trip, it may not be guaranteed.
Purchase another package unit when transporting this printer again.
Pack the printer with the accessories (ribbon and print paper) removed.
- 2. Close the printing unit firmly.**

When closing the printing unit, push it until a click is heard.

CAUTION

When the printing unit is not closed firmly or you press the OPEN button accidentally, the printing unit may open. It can cause injury or damage.

- 3. If the ribbon, print paper, or ribbon cassette can not be taken out, consult with your dealer.**

PRECAUTIONS

FEATURES

PREPARATION

TROUBLE-SHOOTING

OTHERS

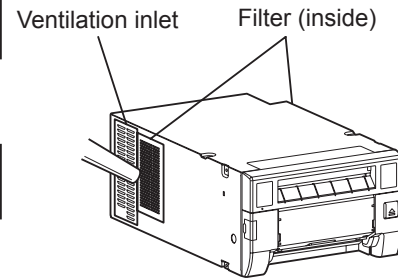
CONTENTS

CLEANING

Cleaning as indicated below will help maintain stable printer operation and extend the printer's life. Wearing gloves at cleaning is recommended to prevent injury. **Make sure to turn off the power before cleaning.**

FILTER CLEANING

Clean the filter part and the ventilation inlet with a vacuum as shown right.



THERMAL HEAD CLEANING

- 1 Press the OPEN button to open the printing unit.
- 2 Take the ribbon cassette out of the printer.

Preparations

- Alcohol (ethyl alcohol, etc.)
- Soft and clean cloth

When lines appear on the printed images, clean the thermal head. Wipe the head cleaning part carefully with cloth dampened with a small amount of alcohol.

NOTE

- Do not damage the thermal head.
- When the poor print quality is not corrected even if the head has been cleaned, replacement of the thermal head may be required. Contact your dealer.

CAUTION



Thermal head is hot right after printing. Wait until the head cools before cleaning the thermal head.

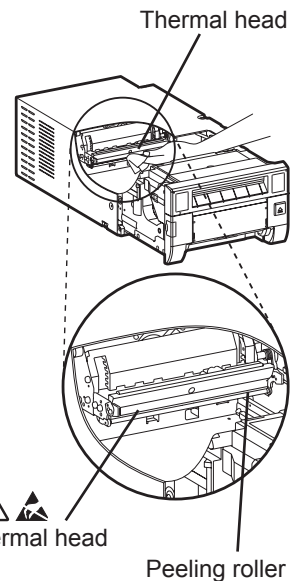
NOTE



The thermal head may be damaged if you touch it while static electricity builds up on your body.

NOTE

When you clean the thermal head, make sure not to apply excessive force to the peeling roller on the bottom of the thermal head. When the excessive force is applied to the roller, the roller may be deformed, resulting in deterioration of the printing quality.



Cleaning part of thermal head

Peeling roller

PRECAUTIONS

FEATURES

PREPARATION

TROUBLE-SHOOTING

OTHERS

CONTENTS

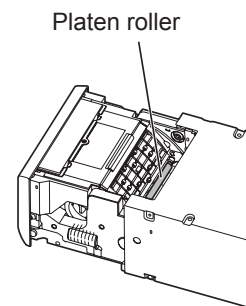
CLEANING

PLATEN ROLLER CLEANING

Preparations

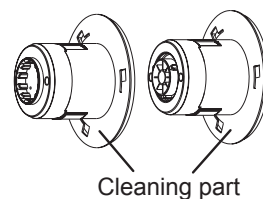
- Alcohol (ethyl alcohol, etc.)
- Soft and clean cloth

Clean the black part of the roller.
Wipe the black part carefully with cloth dampened with a small amount of alcohol.
Wipe the whole roller by turning it.



PAPER FLANGE CLEANING

Clean the parts that contact the print paper sides as shown right.
Wipe the parts carefully with cloth dampened with a small amount of alcohol.



PRECAUTIONS
FEATURES
PREPARATION
TROUBLE-SHOOTING
OTHERS
CONTENTS

SPECIFICATIONS

SPECIFICATIONS		
Class	Digital Photo Printer	
Model	Kodak 305 Photo Printer	
Printing method	Sublimation Dye Thermal Transfer line print 3-color faces progressive printing (yellow, magenta, and cyan) and surface lamination	
Print's resolution	300 x 300 dpi (dpi : dots per inch)	
Dot resolution	10x15 (4x6") 15x20 (6x8")	1218 x 1864 dots 1864 x 2422 dots
Print size	10x15 (4x6") 15x20 (6x8")	102 x 152mm (without frame) 152 x 203mm (without frame)
Gradations	256 (8 bits) for each color	
Supply method	Automatic	
Interface	Hi-Speed USB (Ver.2.0)	
Power supply	220 - 240 V AC 50/60 Hz, 120 V AC 50/60 Hz	
Power consumption	2.4 A (220 - 240 V AC, 50/60 Hz) 4.6 A (120 V AC, 50/60 Hz)	
Operating conditions	Temperature : 15°C - 30°C Humidity : 30% - 80% RH (no dewing)	
Installation conditions	Operating attitude : Horizontal ±5°	
Outside dimensions	275(W) x 446(D) x 170(H) mm	
Weight	Approx. 12 kg (excluding accessories)	
Standard accessories	Ribbon cassette (1), CD-ROM (1), Paper flange (1 set), Quick set up guide (1), Trim tray (1), Paper tray (1)	

Print size and outside dimensions show typical value.
Design and specifications are subject to change without notice.

■ Contents of CD-ROM

- User's guide
- Printer driver
- PRINTER DRIVER GUIDE

PRECAUTIONS

FEATURES

PREPARATION

TROUBLE-
SHOOTING

OTHERS

CONTENTS

Eastman Kodak Company
Rochester, NY 14650 U.S.A.

© Kodak, 2011.
TM: Kodak. All rights reserved.
P/N 4J7879

Kodak

919C176A40