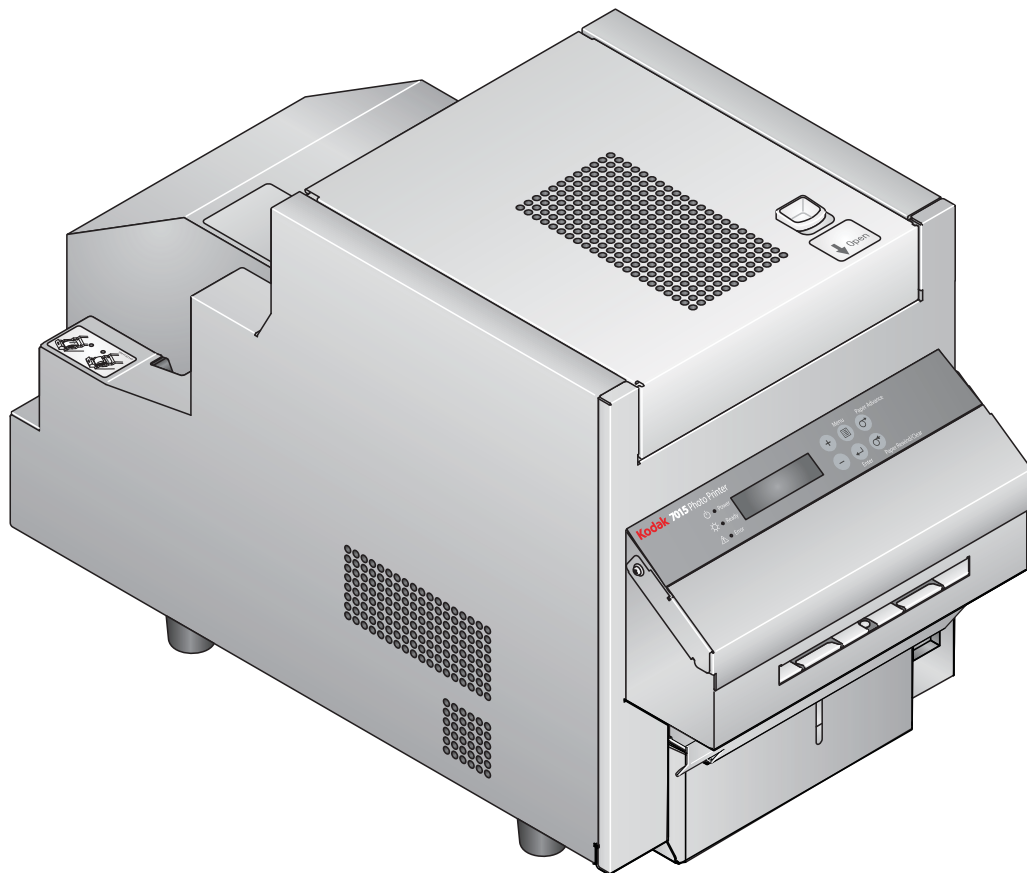


Kodak

7015 Photo Printer

User's Guide



TM/MC/MR Licensed from Eastman Kodak Company: Kodak
Kodak Alaris Inc.
2400 Mount Read Blvd., Rochester, N.Y. 14615

© 2014 Kodak Alaris Inc.
All rights reserved. Printed in U.S.A.
P/N 4J6747

Table of Contents

1 Setting Up the Printer

Package Contents	1-1
Preparing the Printer for Use	1-2
Connecting the Cables	1-4
Connecting the Power Cable	1-4
Connecting the USB Cable	1-4
Turning On the Printer	1-5
Handling and Storing the Paper and Ribbons	1-5
Loading the Ribbons	1-5
Loading the Photo Ribbon	1-5
Loading the Backprinter Ribbon Cartridge	1-7
Loading the Paper	1-14
Making a Test Print	1-17

2 Operating the Printer

Making Prints	2-1
Handling and Storing Prints	2-1
Operator Panel Lights	2-1
Operator Panel Buttons	2-2
Printer Settings	2-3

3 Maintaining the Printer

Performing Routine Maintenance	3-1
Cleaning the Exterior	3-1
Cleaning the Thermal Print Head and the Peel Roller	3-2
Cleaning the Paper Guide	3-3
Cleaning the Platen Roller	3-4
Cleaning the Cleaning Rollers	3-5

4 Troubleshooting

Resolving Operator Panel Error Messages	4-2
Clearing a Paper Jam	4-3

Table of Contents

Recovering from a Power Interruption	4-5
--	-----

Appendix A: Additional Information

System Requirements	A-1
Printer Specifications	A-1
Printer Supplies	A-2
Paper and Ribbon	A-2
Thermal Printer Cleaning Kit	A-2
Packing and Transporting the Printer	A-3
Getting Help	A-3

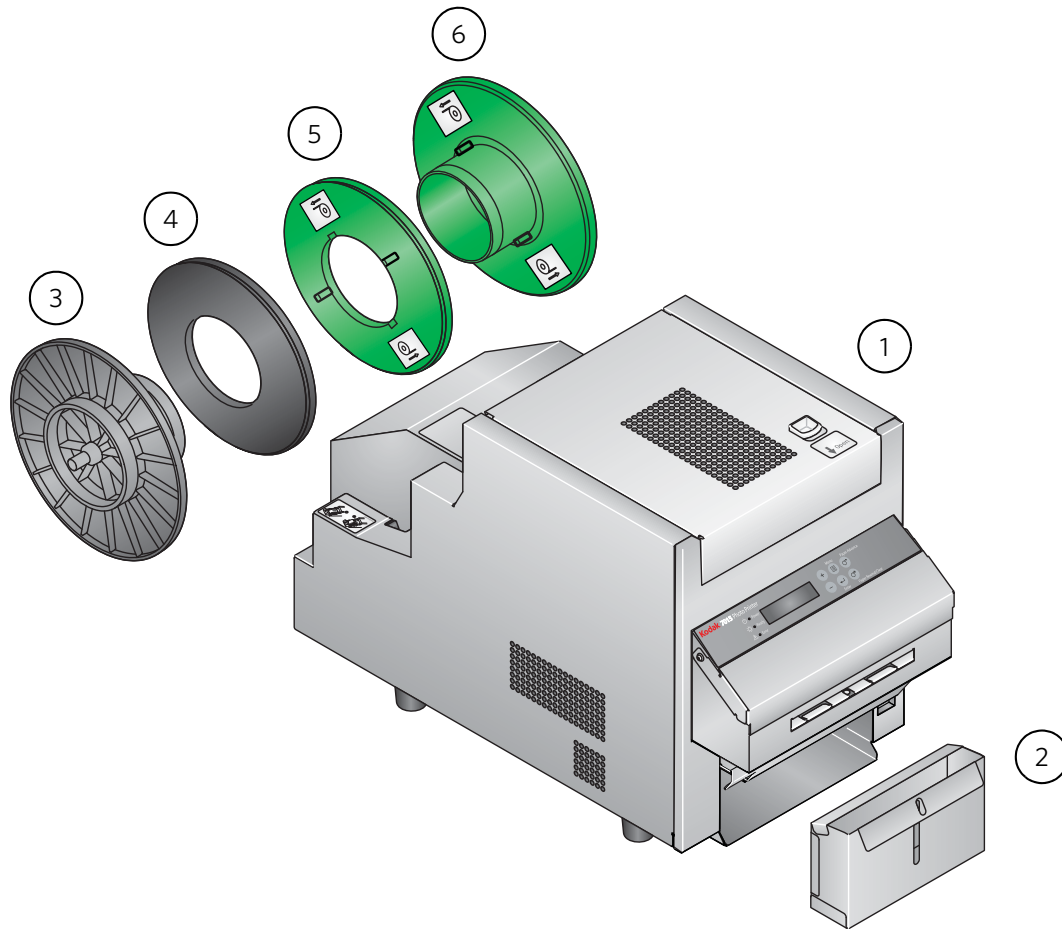
Appendix B: Safety and Regulatory Information

Important Safety Information	B-1
Safety Labels	B-2
Regulatory and Safety Compliance	B-3
Safety	B-3
Electromagnetic Compatibility (EMC)	B-3
Noise Emission	B-5
Disposal	B-5
China RoHS	B-6

1 Setting Up the Printer

Package Contents

The KODAK 7015 Photo Printer is packaged with the following items:



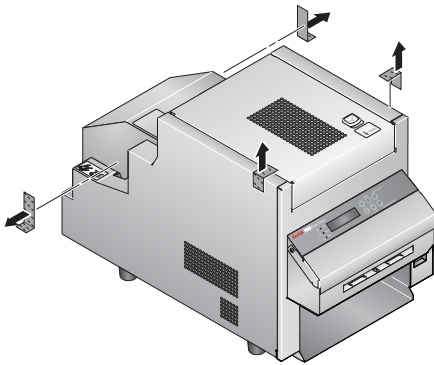
1. Printer
2. Trim tray (not installed)
3. Paper flange without gear (gray)
4. Spacer (gray)
5. Spacer (green)
6. Paper flange with gear (green)

Preparing the Printer for Use

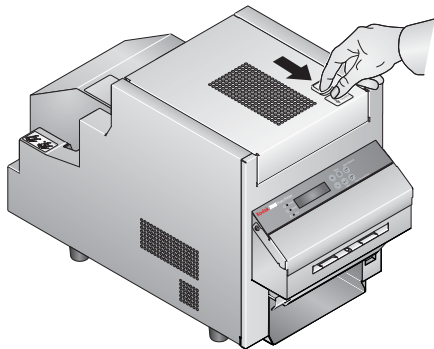
IMPORTANT: *The printer weighs approximately 63 lbs (29 kg) and is heavier at the front than at the back. Use caution when lifting or moving the printer.*

NOTE: Keep the carton and packaging in case you ever need to transport the printer.

1. Remove the tape from the top cover and paper door.



2. Slide the top cover latch release toward you.



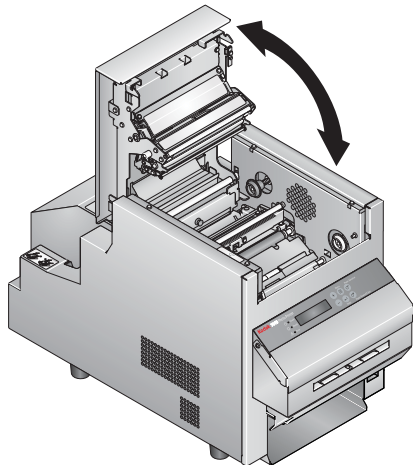
3. Carefully open the top cover.

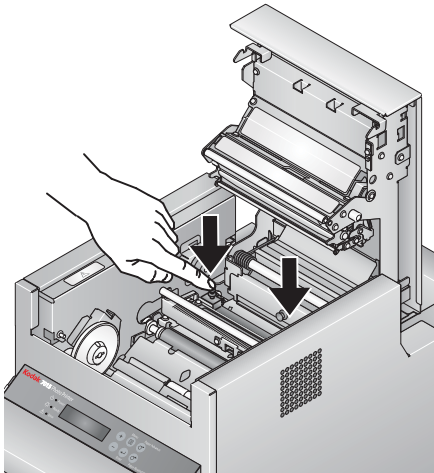
IMPORTANT: *The top cover does not open beyond a 90° angle.*



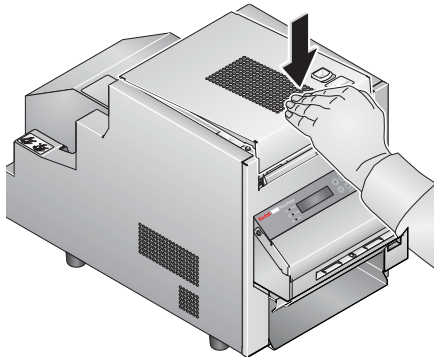
CAUTION:

There are sharp cutter blades inside the printer. Follow instructions carefully to avoid touching any areas that may be hazardous.

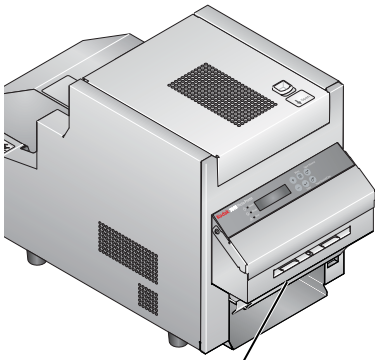




4. Check to make sure the paper guide is securely in place by pressing down on each of the knobs. For steps on removing and reinstalling the paper guide, see ["Cleaning the Paper Guide"](#) on page 3-3.

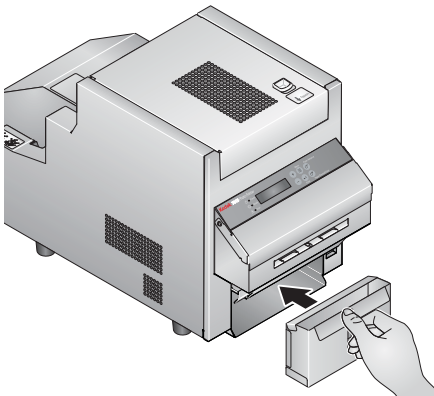


5. Close the top cover.



Backprinter cover

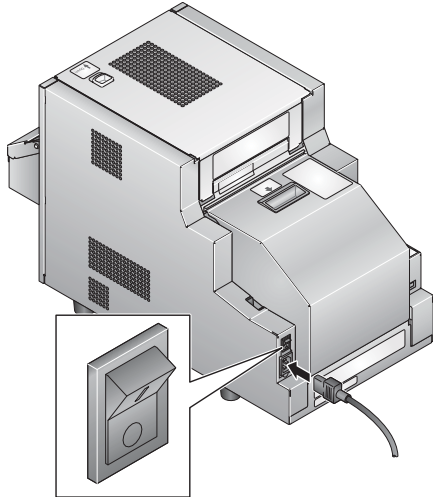
6. Check the backprinter cover to make sure it is fully closed



7. Insert the trim tray into the printer as shown.
NOTE: If the backprinter cover is not fully closed, the trim tray cannot be inserted or removed, and the printer will not print.

Connecting the Cables

Connecting the Power Cable



If you received more than one power cable with your printer, make sure to use the correct power cable for your country.

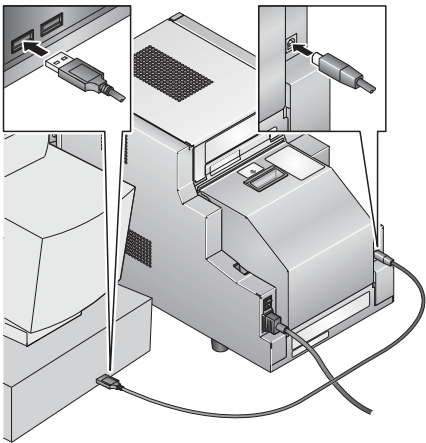
1. Check that the power switch is turned off (○).

⚠ CAUTION:

The power outlet must be grounded. An ungrounded outlet can cause fire, electric shock, or harmful interference to nearby electrical devices.

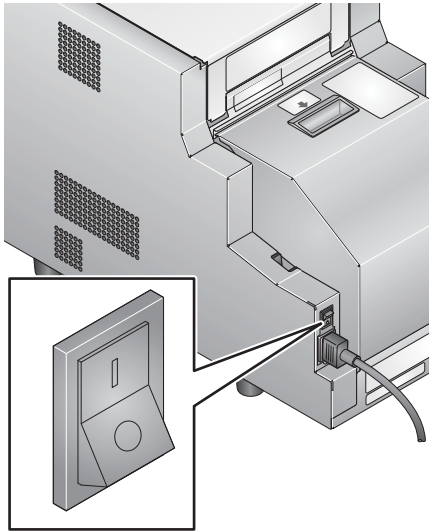
2. Connect the power cable to the power connector on the back of the printer and to a grounded power outlet.

Connecting the USB Cable



1. Check that the power switch is turned off (○).
2. Connect the USB cable that was included with the printer to the USB connector on the back of the printer and to the USB connector on the computer.

Turning On the Printer



Move the power switch to on (|).

On the operator panel, the orange Power light illuminates. If paper and ribbon are loaded, a Ready message appears.

To turn off the printer, move the power switch to off (○).

Handling and Storing the Paper and Ribbons

For the best quality prints, carefully handle and store the paper and ribbons.

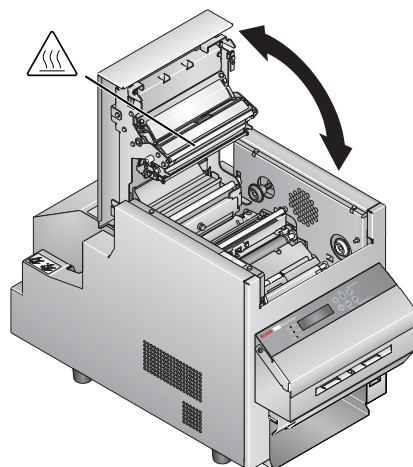
- To avoid fingerprints, handle the photo ribbon by the spool ends. Handle the backprinter ribbon by the cartridge. Do not touch the ribbon material. Do not touch the glossy side of the paper.
- Store the paper and ribbons away from direct sunlight.

Loading the Ribbons

Loading the Photo Ribbon

Make sure you have a KODAK 7000 Print Kit 5R (sold separately) available. This kit contains the correct photo ribbon for your printer (see ["Printer Supplies"](#) on page A-2).

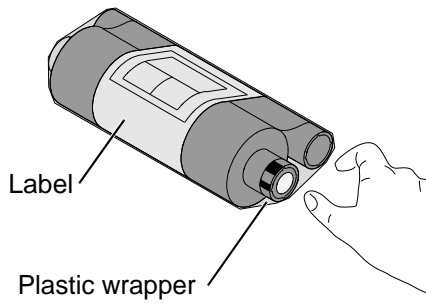
1. Carefully open the top cover.



CAUTION:

The thermal head becomes extremely hot during normal operation. Do not touch it.

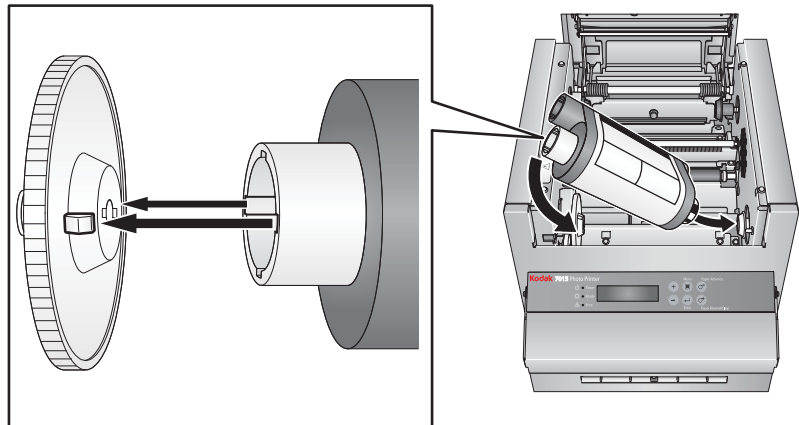
2. If you are replacing the photo ribbon, remove the used ribbon.
- NOTE: Images remain on the photo ribbon after printing. If you need to maintain confidentiality, dispose of the used ribbon appropriately.



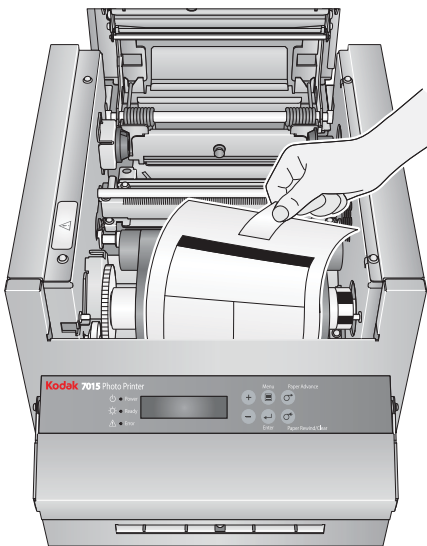
3. Insert your fingers into the holes in the plastic wrapper on the end of the photo ribbon. Remove the plastic wrapper from the ribbon.

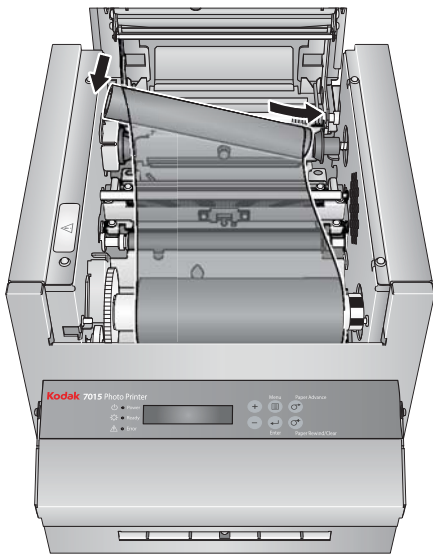
IMPORTANT: *Do not remove the label from the ribbon at this time.*

4. Push the bar code end of the supply spool onto the front spool holder on the right.
5. Insert the left side of the supply spool onto the front spool holder on the left. Align the notches on the supply spool with the lugs on the spool holder.



6. Adjust the supply spool until the spool locks into the spool holder.
7. Remove the label.





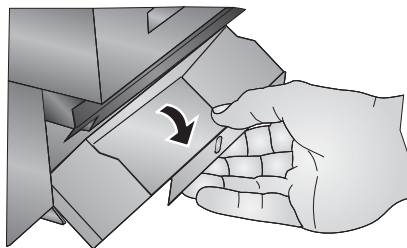
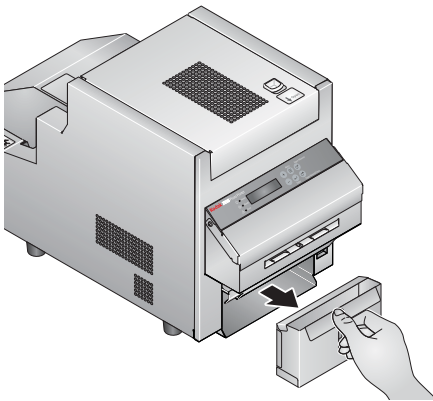
8. Push the right side of the take-up spool onto the rear spool holder on the right.
 9. Insert the left side of the take-up spool onto the spool holder on the left.
 10. Rotate the take-up spool until it locks into place.
 11. If there is any slack in the ribbon, remove it by turning the supply spool.
- IMPORTANT: *Slack in the ribbon can cause a paper jam.*
12. Close the top cover.

Loading the Backprinter Ribbon Cartridge

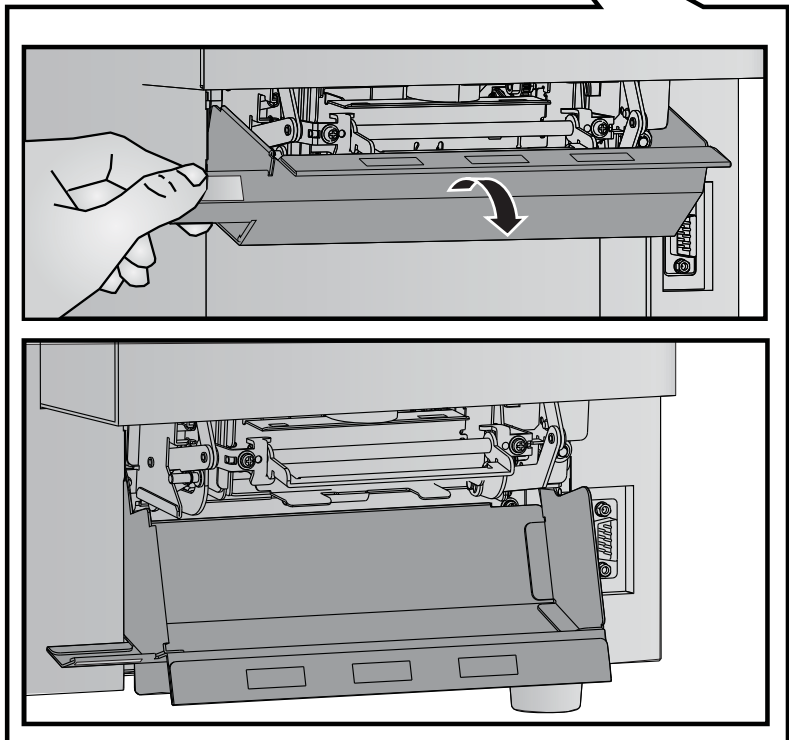
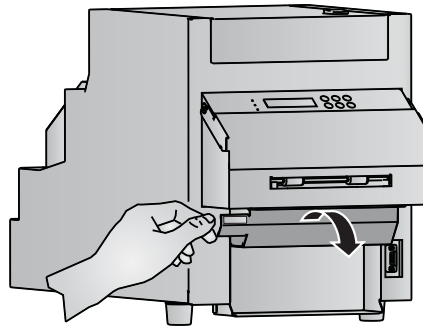
Make sure you have a Backprinter Media Kit for KODAK 701X Photo Printers (sold separately) available. This kit contains the correct ribbon cartridge for your printer (see ["Printer Supplies" on page A-2](#)).

1. Remove the trim tray.

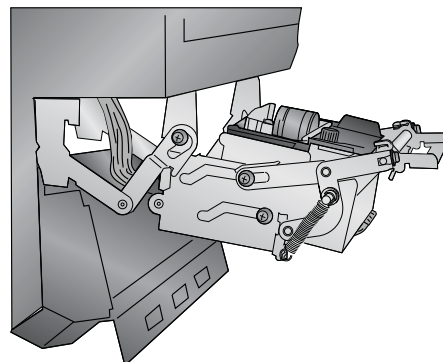
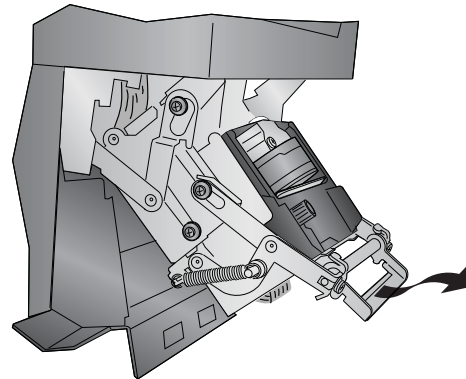
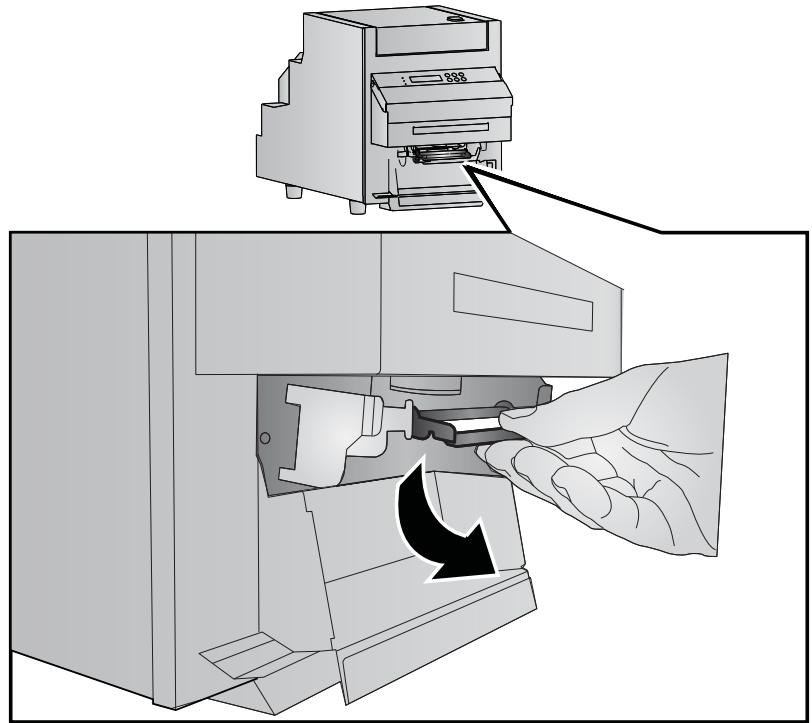
NOTE: If space is limited, the trim tray can be removed by tilting then pulling it out of the printer.



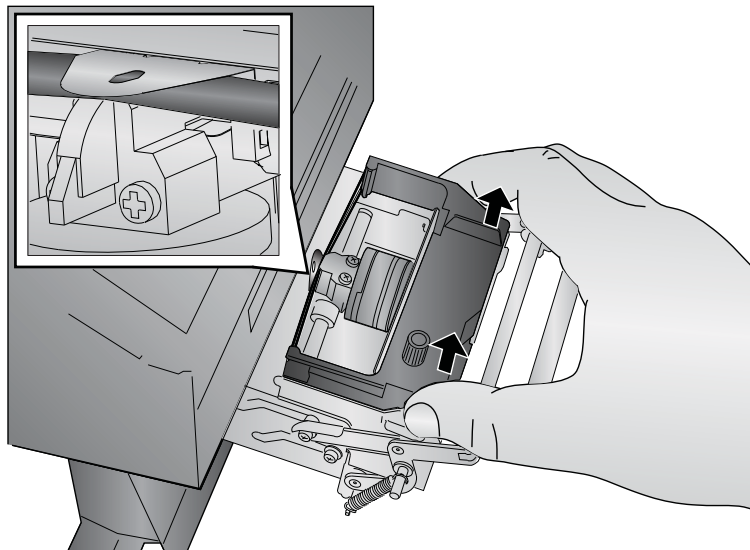
2. Use the lever on the backprinter cover to release the cover from the magnets that hold it in place. Carefully, allow the cover to swing open.



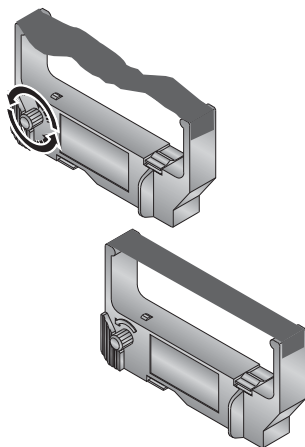
3. Pull the carriage link downward and outward to move the carriage to the loading position.



4. Carefully remove the installed cartridge:
 - a. Grasp the cartridge by the edges, near the bottom.
 - b. Remove the cartridge, lifting the bottom end first. Pull the cartridge the rest of the way out, making sure the ribbon clears the print head.



5. Locate the new ribbon. If there is slack in the new ribbon, remove it by turning the tension knob counterclockwise.
IMPORTANT: *Slack in the ribbon can cause a jam.*



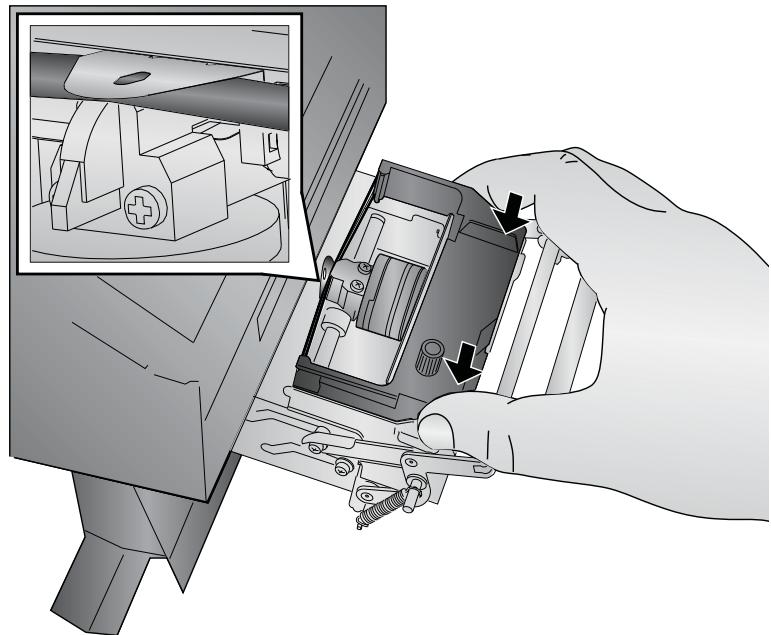
6. Carefully install the new cartridge:
 - a. Insert the cartridge into the carriage as shown, ribbon end first. Slide the ribbon between the guide plate and the print head. If necessary, use the tension knob on the cartridge to maintain tension on the ribbon.



CAUTION:

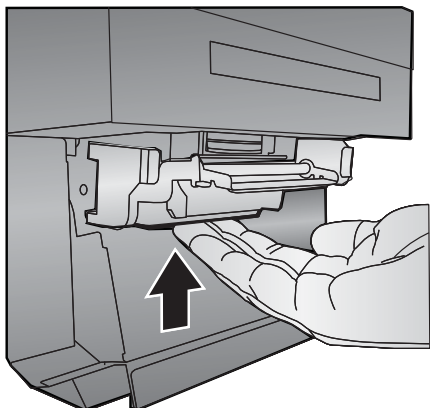
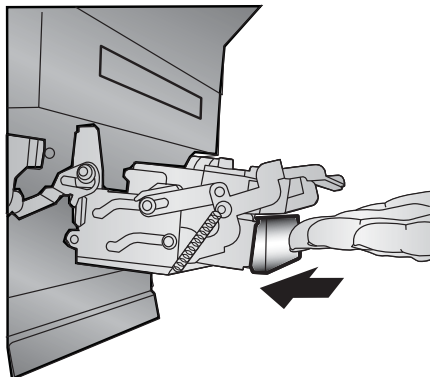
Do not thread the ribbon by hand. The ribbon could become twisted and cause damage to the guide.

- b. With the ribbon in place, press down on the cartridge to seat it.

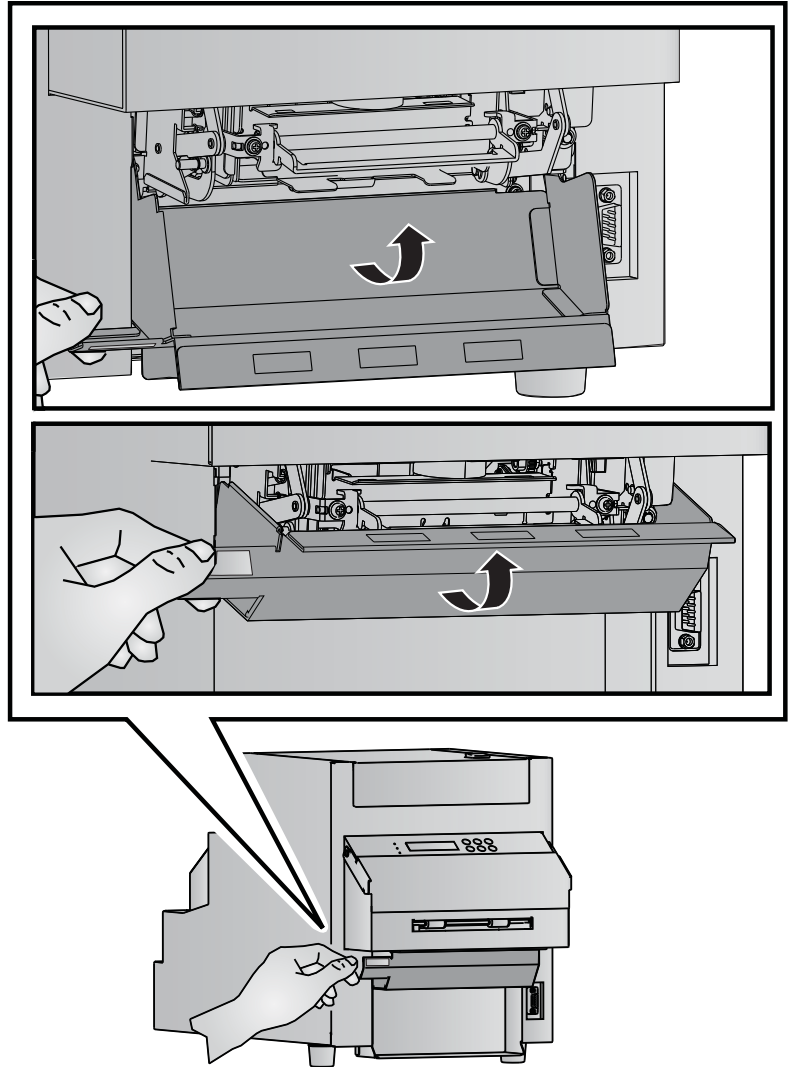


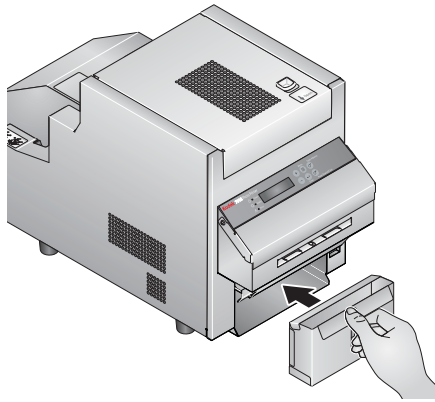
7. Press the carriage inward then upward back into the printer position. The carriage locks into place when it is in the correct position.

IMPORTANT: *Allow the carriage to follow the guide slots along the carriage plate. Do not force.*



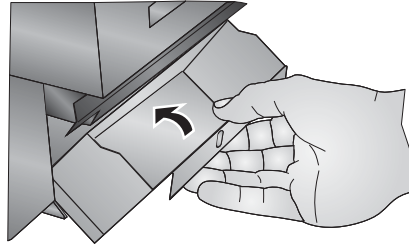
8. Close the backprinter cover, making sure it is seated against the magnets. (If the cover is not fully closed, the trim tray cannot be inserted or removed, and the backprinter will not print.)





9. Replace the trim tray.

NOTE: If space is limited, the trim tray can be installed by tilting then inserting it into the printer.

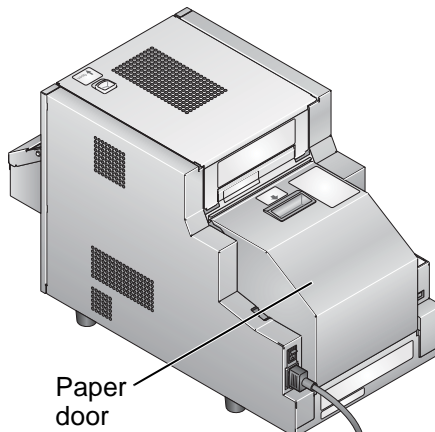


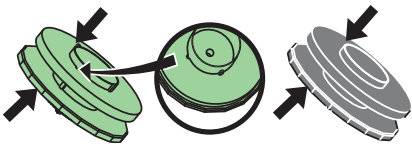
Loading the Paper

Make sure you have a KODAK 7000 Print Kit 5R (sold separately) available. This kit contains the correct paper for your printer (see ["Printer Supplies" on page A-2](#)).

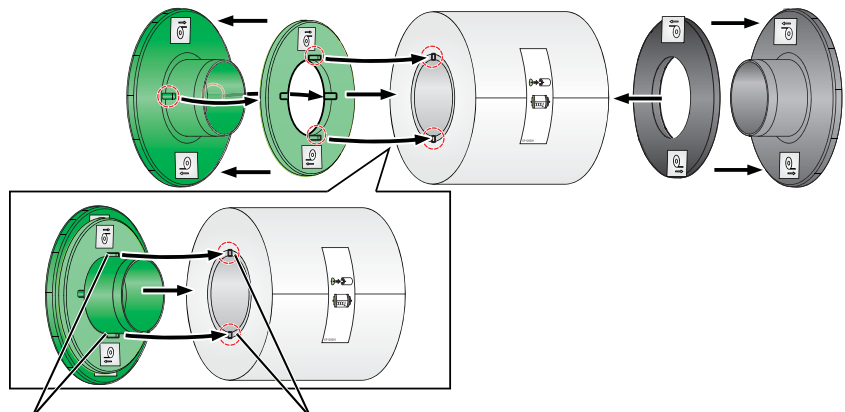
1. Make sure the printer power is on (|).
2. Open the paper door. If you are replacing the paper, remove the used paper roll.
3. Remove the plastic from the new paper roll.

IMPORTANT: *Do not remove the label from the paper roll until you have successfully loaded the paper in the printer.*





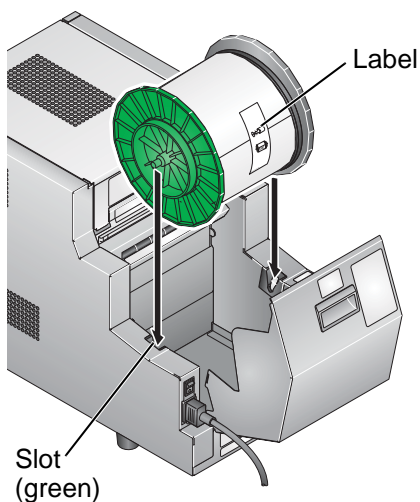
4. Attach the paper flanges and spacers to each end of the paper roll:
 - a. Locate the green flange and the green spacer.
 - b. Orient the flange and spacer so that the labels face the same direction.
 - c. Align the lugs on the flange with the corresponding notches on the spacer, then place the spacer over the flange hub.
 - d. Insert the flange-spacer assembly into the notched end of the paper roll.



Lugs
(green flange) Notches

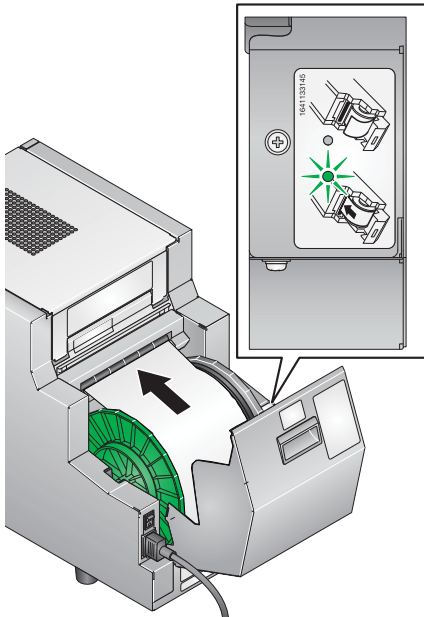
- e. Repeat steps a-c for the gray flange and spacer, then insert the gray flange-spacer assembly into the other end of the paper roll.

NOTE: If the paper flanges and spacers are improperly assembled or improperly attached to the roll, the paper roll will not fit into the printer.



5. Carefully lower the paper roll into the slots. Match the geared flange (green) with the geared slot (green) on the printer.
6. Remove the label from the paper roll.

NOTE: Verify that the paper unrolls from the top of the roll.

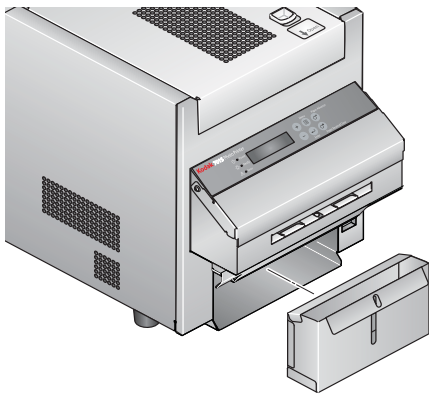


7. Feed the paper into the rear printer slot until the red LED light turns off and the green LED light turns on.
8. Gently close the paper door.

NOTE: The photo ribbon must be loaded in the printer (see [page 1-5](#)) before the paper automatically advances.

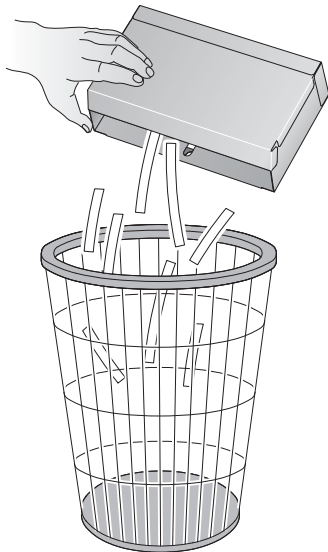
The printer advances the paper, then cuts and discharges 6 blank test prints—about 24 in. (61 cm). This reduces the possibility of fingerprints or other damage to the prints. It does not decrease the 1000 4 x 6 in. (10 x 15 cm) print capacity of the paper roll.

The operator panel displays the Ready message.



9. Empty and replace the trim tray.

NOTE: To keep your prints dust-free and to prevent paper jams, empty the trim tray each time you change the paper.

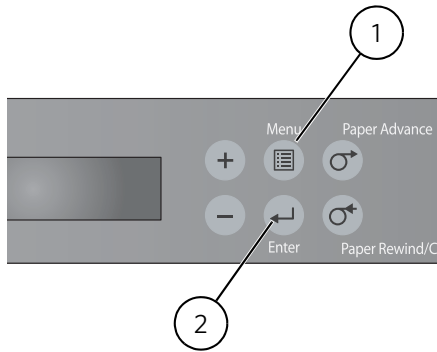


Making a Test Print

Make a test print to check that the printer is installed and set up correctly.

1. Press Menu twice until Test Print Mode appears.
2. Press Enter to start printing the test print.

For more information on using the operator panel in Setup mode, see ["Printer Settings" on page 2-3](#).



2 Operating the Printer

Making Prints




You make prints using photo printing software applications. For application-specific printing information, see the user's guide or online Help for the software application.

Handling and Storing Prints







For best results:

- Make sure hands are clean and free of food, oil, and grease.
- Store prints in a cool, dry environment free of chemical contamination.
- Store prints at temperatures below 72° F (25° C) for extended periods.
- Store prints at a relative humidity between 30% and 50%.
- Avoid exposure to high-intensity light sources, particularly fluorescent light and sunlight, which are rich in ultraviolet radiation.
- Avoid exposure to vinyl items (those made of polyvinyl chloride, PVC) and any plastic that contains plasticizer. If you use transparent sleeves, make sure they are not PVC-based.

Operator Panel Lights

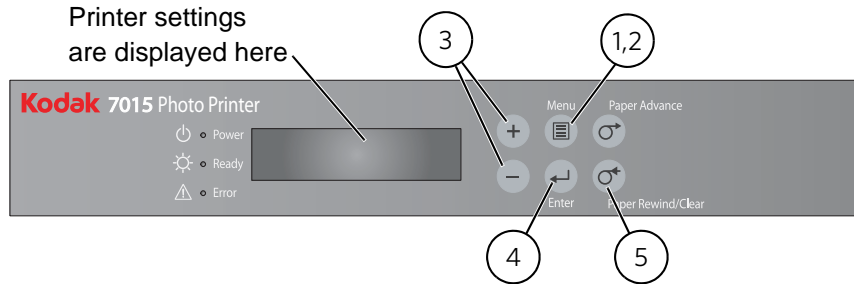
Light	Color	Printer Status
 Power	Orange	The printer power is on.
 Ready	Green	The printer is ready to make prints.
 Error	Red	An error has occurred. See the message on the operator panel, then see "Resolving Operator Panel Error Messages" on page 4-2

Operator Panel Buttons

Button		Use
	Menu	To enter Setup Mode.
	Menu scroll	To scroll through printer settings.
 	Setting options scroll	To scroll forward or backward through setting options.
		Enter
	Paper Advance	To advance paper.
	Paper Rewind/Clear	To rewind paper.
		To exit to previous menu

Printer Settings

Use the operator panel buttons to review and change printer settings.



1. Press Menu to enter Setup Mode.
2. Press Menu repeatedly to scroll through the printer settings.
3. Press +/- to scroll through selections.
4. Press Enter to initiate an action or accept a change.
5. Press Clear to exit Setup Mode.

Display	Description
Ready	The printer is on and ready to make prints.
Energysave Mode	When selected, press Enter, then + or - to enable or disable Energy Save mode (the default is off). When enabled, to conserve power, the printer does not maintain printing temperature when idle. The printer takes additional time to warm-up before initiating printing.
Test Print Mode	When selected, press Enter to make a test print. See "Making a Test Print" on page 1-17 .
Remain = XXX/YYY	XXX represents how many remaining prints you can make with the current paper roll. YYY represents the total number of prints on a paper roll. The counter is reset each time you press Paper Rewind.
Printed = XXXXXX	XXXXXX represents the total number of prints made since the printer was manufactured. This counter cannot be reset.
Donor = XXX[%]	XXX[%] represents the percentage of the installed ribbon that is available for making prints.
Main Firm = XX . YY	XX . YY represents the printer control firmware version number.
DSP Firm = XX . YY	XX . YY represents the image processing firmware version number.
USB Firm = XX . YY	XX . YY represents the USB firmware version number.
TABLE Firm = XX . YY	XX . YY represents the print parameter table version number.

Display	Description
Wait Time	<p>The length of time (from 0 to 100 seconds) the printer waits after receiving a 4R print command before it starts printing. Depending on the setting, the wait time allows the printer to receive a second 4R print that prints at the same time as the first 4R print. This decreases the print time when printing multiple 4R prints using 5R ribbon.</p> <p>NOTE: This setting only applies when printing 4R prints with 5R ribbon.</p>

3 Maintaining the Printer

To ensure good printer performance and high-quality prints, make sure the KODAK 7015 Photo Printer and its environment are clean and dust free.

Performing Routine Maintenance

To maintain good print quality, clean the exterior of the printer and the filter openings regularly (see [page 3-1](#)) to eliminate dust buildup and prevent debris from entering the printer.

In addition, each time you change the ribbon, clean the:

- thermal print head and peel roller (see [page 3-2](#)).
- paper guide (see [page 3-3](#)).
- platen roller (see [page 3-4](#)).
- cleaning rollers (see [page 3-5](#)).

NOTE: If paper or ribbon is loaded in the printer, remove it before performing maintenance procedures.



CAUTION:

Alcohol is a flammable liquid. It can cause eye irritation and dry skin. Prolonged or repeated skin contact may cause drying, cracking, or irritation. Wash your hands with soap and water following any maintenance procedures where you use alcohol pads. For additional information, see the Material Safety Data Sheet (MSDS).

For health, safety, and environmental information in the United States, call 585-722-5151. Customers outside the United States should contact their local customer service representative.

Cleaning the Exterior



CAUTION:

Never use abrasives or harsh chemicals to clean any part of the printer. Do not allow any foreign objects or liquids to fall or spill inside the printer. Fire or electric shock could result. If any foreign object enters the printer, turn off the printer power immediately, remove the power cord, and contact Service and Support.

1. Wipe the exterior of the printer and trim tray with a damp, lint-free cloth.
2. Vacuum the filter openings to remove dust.

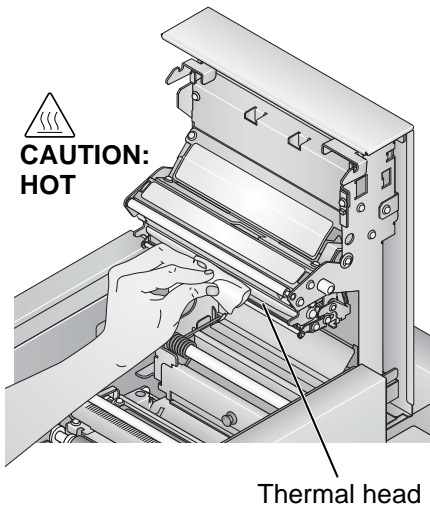
Cleaning the Thermal Print Head and the Peel Roller

1. Make sure the power switch is turned off (○).
2. Carefully open the top cover.

⚠ CAUTION:

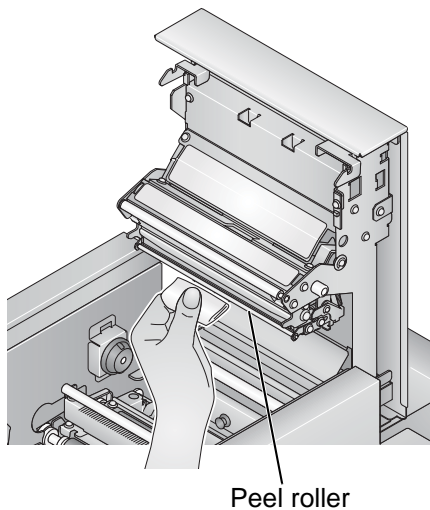
The thermal print head becomes extremely hot during normal operation. Wait approximately five minutes after you open the top cover before cleaning it. Fingerprints can damage the thermal head. Never touch it with your bare hands or fingers.

3. Remove a new alcohol pad from its packaging. Move the pad along the entire length of the thermal print head, in one direction only. When you clean the thermal head:
 - Apply firm, even pressure.
 - Make three passes along the thermal print head.
 - Use a clean part of the pad for each pass.



Thermal head

4. Use another clean alcohol pad to wipe the peel roller.
5. Allow the alcohol to dry completely (about five minutes) before you resume printing.
6. Close the top cover.



Peel roller

Cleaning the Paper Guide

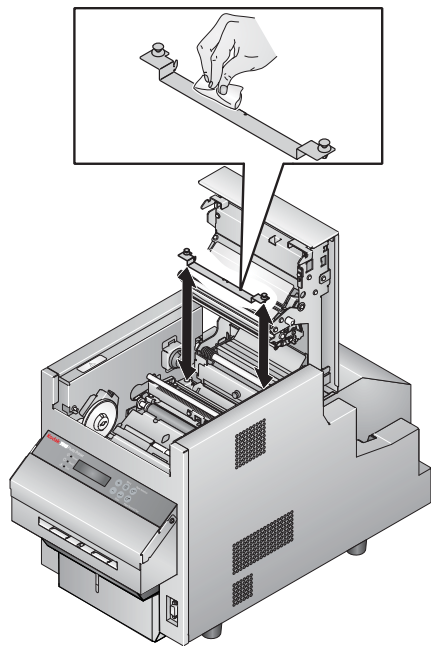
1. Make sure the power switch is turned off (○).
2. Carefully open the top cover.



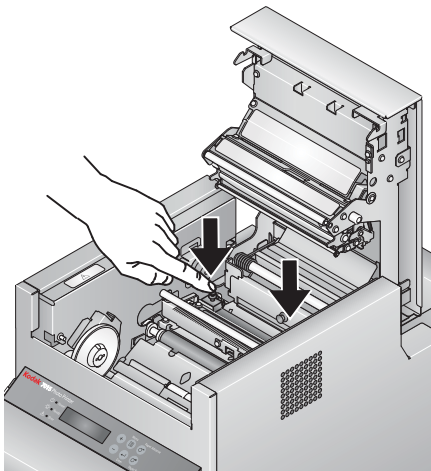
CAUTION:

The thermal head becomes extremely hot during normal operation. Do not touch it.

There are sharp cutter blades inside the printer. Follow instructions carefully to avoid touching any areas that may be hazardous.



3. Remove the paper guide by pulling up on the two black knobs.
4. Remove an alcohol pad from its packaging. Wipe the surfaces of the guide with the pad.



5. Reinstall the paper guide. Press down on each knob until each side of the paper guide clicks into place.
6. Allow the alcohol to dry completely (about five minutes) before you resume printing.
7. Close the top cover.

Cleaning the Platen Roller

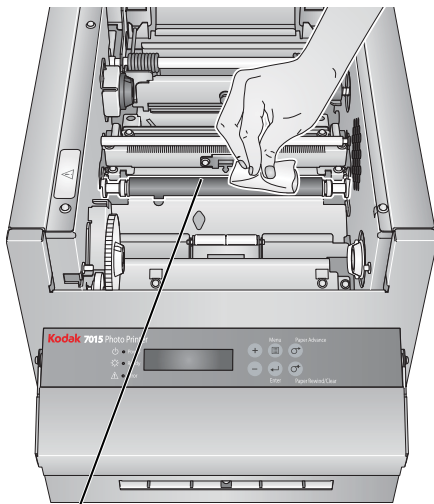
1. Make sure the power switch is turned off (○).
2. Carefully open the top cover.



CAUTION:

The thermal head becomes extremely hot during normal operation. Do not touch it.

There are sharp cutter blades inside the printer. Follow instructions carefully to avoid touching any areas that may be hazardous.



Platen roller

3. Remove an alcohol pad from its packaging. Wipe the rubber section of the platen roller with the pad.
4. Rotate the roller to clean the entire surface.
5. Allow the alcohol to dry completely (about five minutes) before you resume printing.
6. Close the top cover.

Cleaning the Cleaning Rollers

It is essential to keep the cleaning rollers clean to prevent dirt from transferring back onto the prints and to keep the printer operating correctly.

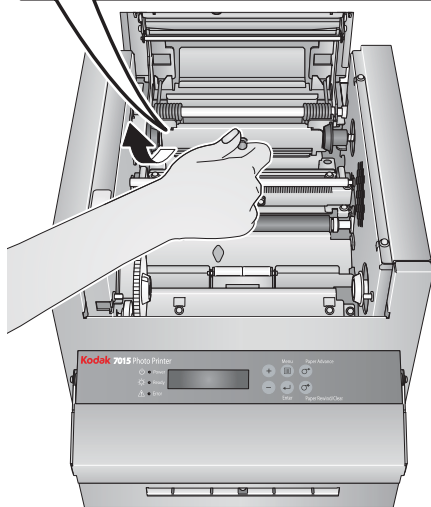
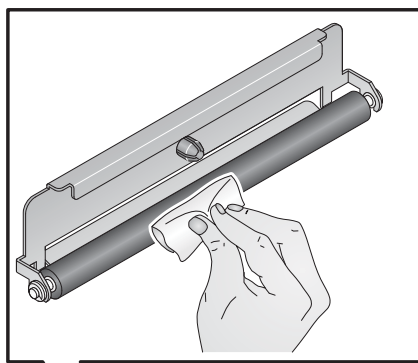
1. Make sure the power switch is turned off (○).
2. Carefully open the top cover.



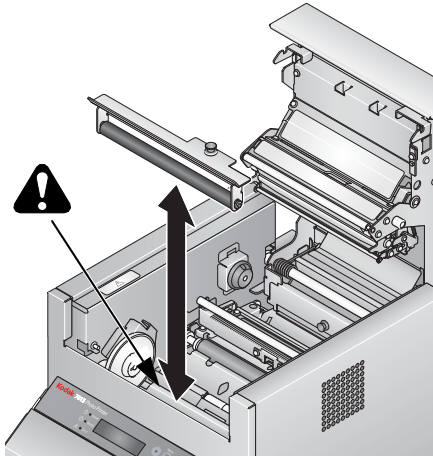
CAUTION:

The thermal head becomes extremely hot during normal operation. Do not touch it.

There are sharp cutter blades inside the printer. Follow instructions carefully to avoid touching any areas that may be hazardous.



3. Remove the rear cleaning roller by pulling up on the black knob.
4. Remove an alcohol pad from its packaging. Wipe the rubber section of the roller with the pad.
5. Reinstall the rear cleaning roller in the printer. Push the black knob until the roller clicks into place.



6. Repeat steps 1-3 to remove, clean and reinstall the front cleaning roller.



CAUTION:

The thermal head becomes extremely hot during normal operation. Do not touch it.

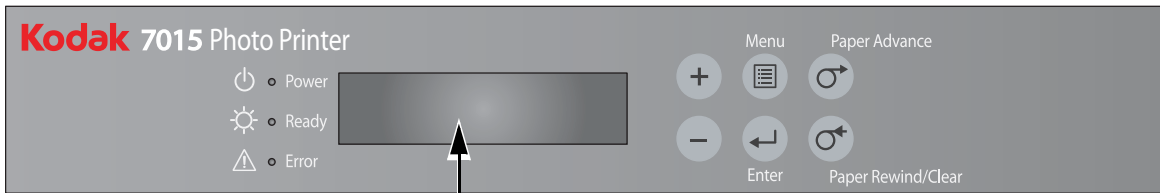
There are sharp cutter blades inside the printer. Follow instructions carefully to avoid touching any areas that may be hazardous.

7. Allow the alcohol to dry completely (about five minutes) before you resume printing.
8. Close the top cover.

4 Troubleshooting

Problem	Description or Cause	Possible Solution
Paper jam; error light is on, printer does not operate	Paper is jammed in the printer	Clear the paper jam (see page 4-3).
Prints have vertical streaks	Thermal print head is dirty.	Clean the thermal print head (see page 3-2).
Prints have streaks made up of small dots	The platen roller is dirty.	Clean the platen roller (see page 3-4).
Prints have ink smudges	There is ink on the backprinter platen.	Advance the paper (see page 2-2) until ink smudging is no longer visible.
Print size or aspect ratio is not what you expected	The image file or printing options need to be adjusted in your photo printing software program.	<p>In your photo printing software program:</p> <ul style="list-style-type: none"> • Use the Fit to Page or the Clip options if available. • Adjust the image size to match the paper size. • Make sure the Portrait/Landscape setting matches the orientation of the image. • For more information, see the help for your photo printing software program. <p>NOTE: It is not necessary to adjust the image resolution (dpi) to match the printer resolution. The printer drive automatically scales your image to match the printer resolution.</p>
Backprinting is too light	The backprinter ribbon cartridge needs replacing or is not loaded properly.	Check and if necessary, replace the ribbon cartridge (see page 1-7).
Insufficient memory errors occur on your computer after making a substantial number of prints	Your computer is low on RAM and/or disk caching memory. This occurs when you rotate, scale, or retouch high resolution images (>72 dpi).	<ul style="list-style-type: none"> • Minimize the number of images open at the same time. • Delete the contents of the clipboard frequently. • Close all programs except the photo printing software program. • See the help for your photo printing software program for tips on memory optimization. • See "System Requirements" on page A-1.

Resolving Operator Panel Error Messages



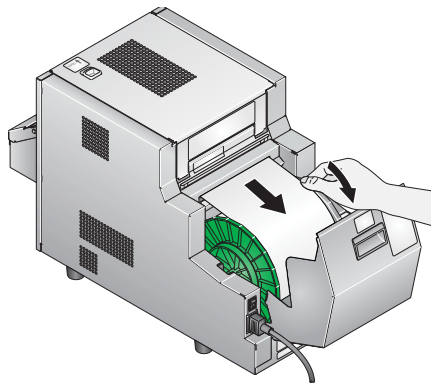
Refer to the following table to resolve errors reported on the operator panel. If the error persists, contact Service and Support.

Error Message	Description or Cause	Possible Solution
Paper Empty	The paper is empty or is not installed correctly.	Load (or reload) the paper (see page 1-14).
Ribbon Empty	The photo ribbon is empty, is not loaded, or is stuck to the paper.	Load (or reload) the photo ribbon (see page 1-5).
Incorrect Ribbon	The printer could not read the bar code on the photo ribbon or the wrong size is installed.	Check that the photo ribbon has a bar code and/or replace it with the correct size (see page 1-5).
Cover Open	The top cover is open.	Make sure the top cover is securely closed.
Paper Cover Open	The paper cover is open.	Make sure the paper cover is securely closed.
BackP Cover Open	The backprinter cover is open.	Make sure the backprinter cover is securely closed.
Paper Jam XX	The paper is jammed.	Clear the paper jam (see page 4-3) then reload the paper. If the error persists, turn the printer off then on again.
Sensor Error XX	The printer has a specific problem that may require service.	Turn the printer off. After 10 or more seconds, turn on the printer. If, after warming up, the error persists, contact Service and Support. Have available: <ul style="list-style-type: none"> • Error code number (XX.YY.ZZ). • Printer model number and serial number (shown on the printer data plate).
Mecha Error XX		
Control Error XX		
Initializing	The printer is preparing to print.	Wait for printing to start.
Cooling	The printer is too hot to print.	Wait for the printer to complete cooling.
Ready Loading	The printer is preparing to load paper.	No action is necessary.

Clearing a Paper Jam



1. Press the Paper Rewind button twice.
2. Open the paper door.

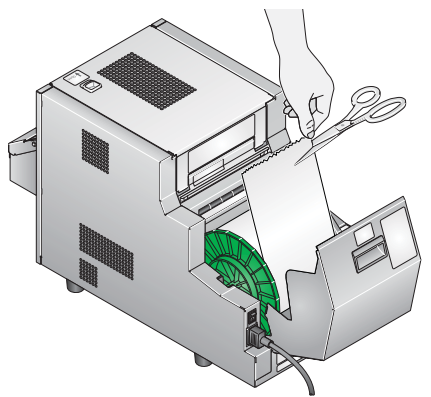


3. If the paper is not fully rewound, manually rewind the paper onto the roll.



CAUTION:

To prevent damage to the printer, do not pull abruptly on the paper.

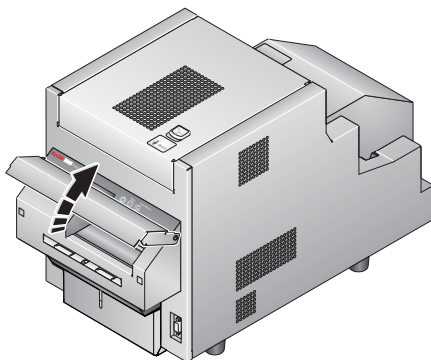


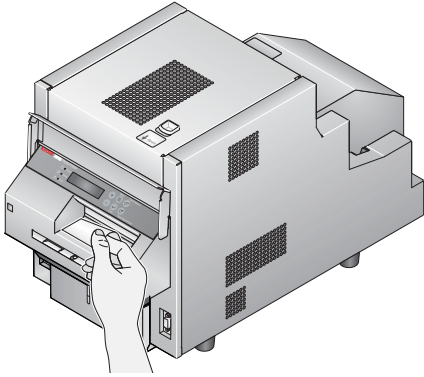
4. Cut off any damaged or printed areas of the paper.
- IMPORTANT:** *Be careful not to damage or mark any rollers.*

5. Load the paper (see [page 1-14](#)), then gently close the paper door.

If the Paper Jam message is still displayed on the operator panel:

1. Open the front cover.

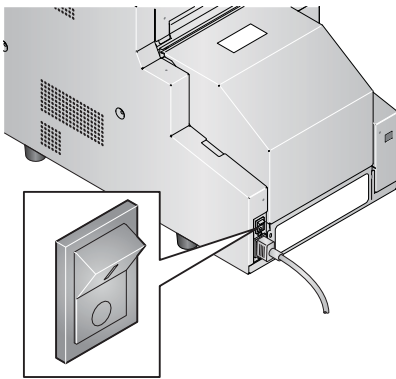




2. Look inside the front compartment and carefully remove any paper or obstructions.
3. Close the front cover.

If the Paper Jam message is still displayed on the operator panel:

1. Turn off the printer.

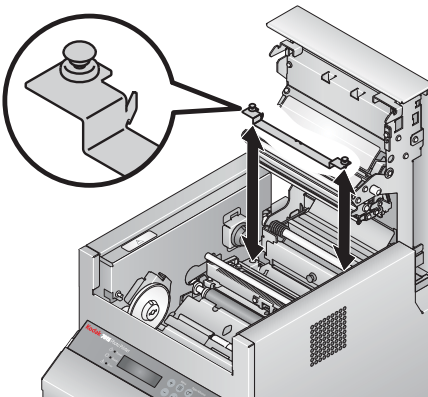


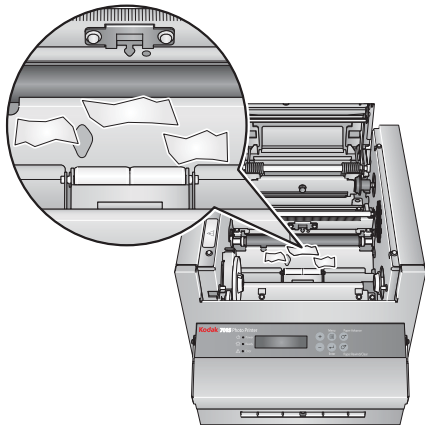
2. Carefully open the top cover.

⚠ CAUTION:

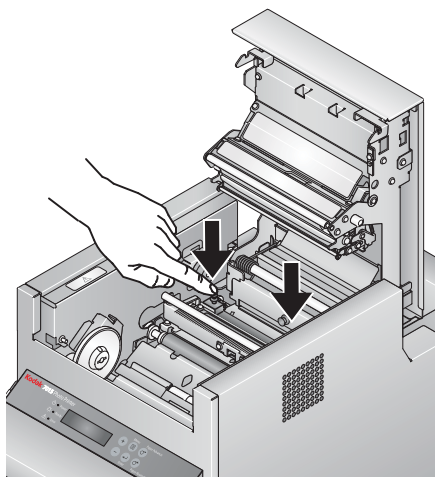
The thermal head becomes extremely hot during normal operation. Do not touch it.
There are sharp cutter blades inside the printer. Follow instructions carefully to avoid touching any areas that may be hazardous.

3. Remove the ribbon.
4. Remove the paper guide by pulling up on the two black knobs.





5. Look inside the ribbon compartment and carefully remove any pieces of paper.



6. Reinstall the paper guide. Press down on each knob until each side of the paper guide clicks into place.
7. Load the ribbon (see [page 1-5](#)).
8. Close the top cover.
9. Turn on the printer.

If the Paper Jam message is still displayed on the operator panel, contact Service and Support.

Recovering from a Power Interruption

CAUTION:

If the printer loses power while printing, the printer stops with the thermal print head positioned against the platen roller. The platen roller could become damaged if the thermal print head is left in this position.

If a power outage occurs:

1. Open the top cover immediately to release the pressure on the platen roller. Leave the top cover open until power is restored.
2. When power is restored, restart the printer by following the procedure for ["Clearing a Paper Jam" on page 4-3](#).
3. Send your print job again.

Appendix A: Additional Information

System Requirements

- Computer with MICROSOFT WINDOWS XP, WINDOWS 2003 Server, WINDOWS VISTA Operating System
- Minimum 1.0 GHz Celeron Microprocessor
- Minimum memory requirement is determined by your operating system
- Minimum 2 GB of available hard disk space
- USB High Speed (2.0) compliant host device

Printer Specifications

Dimensions	Width	11.6 in. (29.4 cm)
	Depth	23.1 in. (58.6 cm)
	Height	14.6 in. (37 cm)
Weight (without ribbon and paper)		63 lbs (29 kg)
Operating environment	Temperature	59 to 86° F (+15 to +30° C)
	Relative Humidity	15 to 76%
Power Voltage/Frequency (auto detection in the prescribed range)		100 V to 240 V / 48 Hz to 62 Hz
Power consumption		5.0 Amps at 100 V AC or 2.5 Amps @ 240 V AC maximum
Print sizes		5 x 7 in. (12.7 x 17.8 cm) borderless

Printer Supplies

Go to www.kodak.com/go/printerupdates for information on ordering supplies.

Paper and Ribbon

Print and media kits contain the correct paper and ribbon for your printer model. Print and media kits are sold separately.

IMPORTANT: *For best results, replace both the paper and ribbon at the same time. Used ribbon is safe for land-fill disposal. Do not recycle used ribbon.*

KODAK 7000 Print Kit 5R	
Contents	1 roll of paper—5 in. (12.7 cm) 1 ribbon—8 in. (20.3 cm)
Capacity*	570 5 x 7 in. (12.7 x 17.8 cm) prints
Storage specifications	86° F (30° C) or lower 60% relative humidity or lower

* Paper and ribbon rolls and cartridges contain material to make the stated print quantity. The paper roll contains a small amount of additional paper for lead edge and trailing edge waste.

Backprinter Media Kit for KODAK 701X Photo Printers	
Contents	6 cartridges
Capacity	10000 prints
Storage specifications	86° F (30° C) or lower 60% relative humidity or lower

Thermal Printer Cleaning Kit

Use the KODAK Thermal Printer Cleaning Kit when performing routine maintenance on the printer (see [page 3-1](#)). One Thermal Printer Cleaning Kit is included with your printer.

KODAK Thermal Printer Cleaning Kit	
Contents	10 individually packaged alcohol pads



CAUTION:

Alcohol is a flammable liquid. It can cause eye irritation and dry skin. Wash your hands with soap and water following any maintenance procedures where you use alcohol pads.

Packing and Transporting the Printer



CAUTION:

Shipping the printer with paper and ribbon installed can cause damage to the printer.

1. Remove the paper and ribbon from the printer.
2. Reinstall the packing materials (see [page 1-2](#)).
3. Repack the printer in the original packing box. See the packing/unpacking instructions included with the box.

Getting Help

Help with your printer is available from the following sources:

- [“Chapter 4 Troubleshooting”](#) in this user’s guide.
- Service and Support.

Appendix B: Safety and Regulatory Information

Important Safety Information



CAUTION:

Use of controls or adjustments or performance of procedures other than those specified in this manual may result in injury and/or damage to the printer.

- The power outlet should be easily accessible and installed near the printer.
- Position the power cable so that it cannot be pulled on or tripped over.
- Never allow the power cable to contact hot surfaces.
- The power outlet must be grounded. An ungrounded outlet can cause fire, electric shock, or harmful interference to nearby electrical devices.
- Use only the power cable provided with the printer.
- Do not operate the printer with a damaged power cable.
- Always unplug the power cable from the printer before cleaning or when the printer is not in use.
- If the printer has been dropped or damaged, make sure a qualified service person examines the printer before you use it.
- Do not block the filter openings on the printer cabinet.
- Do not expose the printer to moisture or water.
- Do not allow any foreign objects or liquids to fall or spill inside the printer. Fire or electric shock could result.
- The thermal print head becomes extremely hot during normal operation. Do not touch it.
- Alcohol pads are used to clean the thermal print head and other internal printer components. In the United States, for health, safety, and environment information, call 585-722-5151. Customers outside the United States should contact their local customer service representative.

Safety Labels

Please observe the important safety warnings that are posted on the printer.



CAUTION HOT SURFACE
To prevent burns, avoid touching the thermal print head.

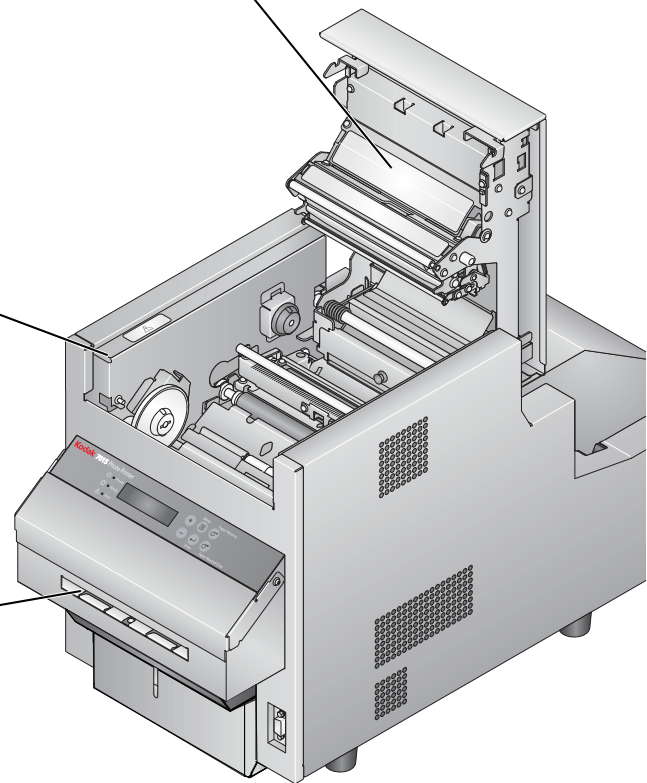


CAUTION SHARP OBJECTS
The metal edges of the printer may be sharp.



CAUTION SHARP CUTTER BLADE
There are sharp cutter blades inside the printer. Do not insert hands or objects.

This label is posted behind the trim tray.



Regulatory and Safety Compliance

Safety

Complies with UL 60950-1: 2006

CAN/CSA C22.2 No. 60950-1-03

EN 60950-1: 2001

IEC 60950-1: 2001

Tested for Norwegian IT Power systems 240V phase to phase

Electromagnetic Compatibility (EMC)

NOTE: This equipment has been tested and found to comply with the limits for a Class A digital device, pursuant to part 15 of the FCC rules. These limits are designed to provide reasonable protection against interference when the equipment is operated in a commercial environment. This equipment generates, uses, and can radiate radio frequency energy and, if not installed and used in accordance with the instruction manual, may cause interference to radio communications. Operation of this equipment in a residential area is likely to cause interference in which case the user will be required to correct the interference at his or her own expense.

This class A digital apparatus complies with Canadian ICES-003.

Cet appareil numérique de la classe A est conforme à la norme NMB-003 du Canada.

Requirements of the EMC directive 89/336/EEC were met through compliance with the following:

- EN 55022: 2006 Class A
- EN 61000-3-2: 2006 Class A
- EN 61000-3-3: 2006
- EN 55024: 1998+A1: 2001+A2: 2003
 - EN 61000-4-2 ESD
 - EN 61000-4-3 Radiated RF Immunity
 - EN 61000-4-4 EFT
 - EN 61000-4-5 Surge
 - EN 61000-4-6 Conducted RF Immunity
 - EN 61000-4-8 Power Frequency Magnetic Field Immunity
 - EN 61000-4-11 Voltage Dips and Interruptions



CAUTION:

This is a class A product. In a domestic environment this product may cause radio interference in which case the user may be required to take adequate measures.

“Changes or modifications not expressly approved by the party responsible for compliance could void the user’s authority to operate the equipment.”

Install and use the equipment according to the instruction manual.

警告使用者：

此為甲類資訊技術設備，於居住環境

中使用時，可能會造成射頻擾動，在

此種情況下，使用者會被要求採取某

些適當的對策

声明 (Declaration)

此為A級產品在居住環境中該產品可能會造成無線電干擾。這種情況下可要求用戶對其採取可採取的措施。

This equipment complies with the requirements in GB 9254-1998(IDT CISPR 22:1997) for Class A Products. Operation of this equipment in a residential area may cause unacceptable interferences to radio and TV reception requiring the operator to take whatever steps are necessary to correct the interference.

(EMC 登錄の場合)

以下注記文をマニュアルへ韓国語で記載すること:

<Class A>

A 급 기기 (업무용 정보통신기기)

이 기기는 업무용으로 전자파적합등록을 한 기기이오니 판매자 또는 사용자는 이 점을 주의하시기 바라며 만약 잘못 판매 또는 구입하였을 때에는 가정용으로 교환하시기 바랍니다.

“Class A 機器(商業用目的の情報/電気通信機器)

この機器は商業用目的において EMC 登録されているので、販売者または使用者はこの点に注意し、もし不当な販売や購入がされた場合は家庭用の機器と交換してください。”

Noise Emission

The operator-position noise emission value is less than 70 dB(A).*

* Average value specified in accordance to JIS Z8731

Disposal

This product contains a small amount of lead in the solder on the circuit boards. Disposal of this material may be regulated due to environmental considerations. For disposal or recycling information, please contact your local authorities. In the USA, contact the Electronics Industry Alliance at www.eiae.org.

In the European Union, this symbol indicates that when the last user wishes to discard this product, it must be sent to appropriate facilities for recovery and recycling. Contact Service and Support or refer to www.kodak.com/go/recycle for additional information on the collection and recovery programs available for this product.



China RoHS

Environmental Protection Use Period (EPUP)

In China, this number indicates the time period (in years) within which any hazardous substances present in the product are not expected to be released such that there is risk to human health, property, or the environment. This value is assigned based on normal use of the product as described in the operating instructions.



环保使用期限 (EPUP)

在中国大陆, 该值表示电子信息产品中含有的有毒有害物质或元素在正常使用的条件下不会发生外泄或突变, 用户使用此产品不会对环境造成严重污染或对人体、财产造成严重损害的期限 (以年计)。该值根据操作说明中所规定的产品正常使用条件而定。

Table of hazardous substance's name and concentration
Model Name: KODAK 7015 Photo Printer

Product Disclosure Table
有毒有害物质或元素名称及含量标识表

Table of hazardous substance's name and concentration

部件名称 Component name	有毒有害物质或元素 Hazardous substance's name					
	铅 (Pb)	汞 (Hg)	镉 (Cd)	六价铬 (Cr(VI))	多溴联苯 (PBB)	多溴二苯醚 (PBDE)
蜗轮(金属材料) Worm gear	×	○	○	○	○	○
压纸滚轮 Platen roller	×	○	○	○	○	○
电路板(含传感器) PCB(include sensor)	×	○	○	○	○	○
电源 Power supply	×	○	○	○	○	○
热敏头 Thermal head	×	○	○	○	○	○
电机/风扇/离合器 Motor/Fan/Clutch	×	○	○	○	○	○
○: 表示该有毒有害物质在该部件所有均质材料中的含量均在 SJ/T 11363-2006 规定的限量要求以下 ×: 表示该有毒有害物质至少在该部件的某一均质材料中的含量超出 SJ/T 11363-2006 规定的限量要求 ○: Amount of this hazardous substance in all the inhomogeneous material of this part is below threshold specified in SJ/T11363-2006 standard. ×: Amount of this hazardous substance in all the inhomogeneous material of this part is over threshold specified in SJ/T11363-2006 standard.						